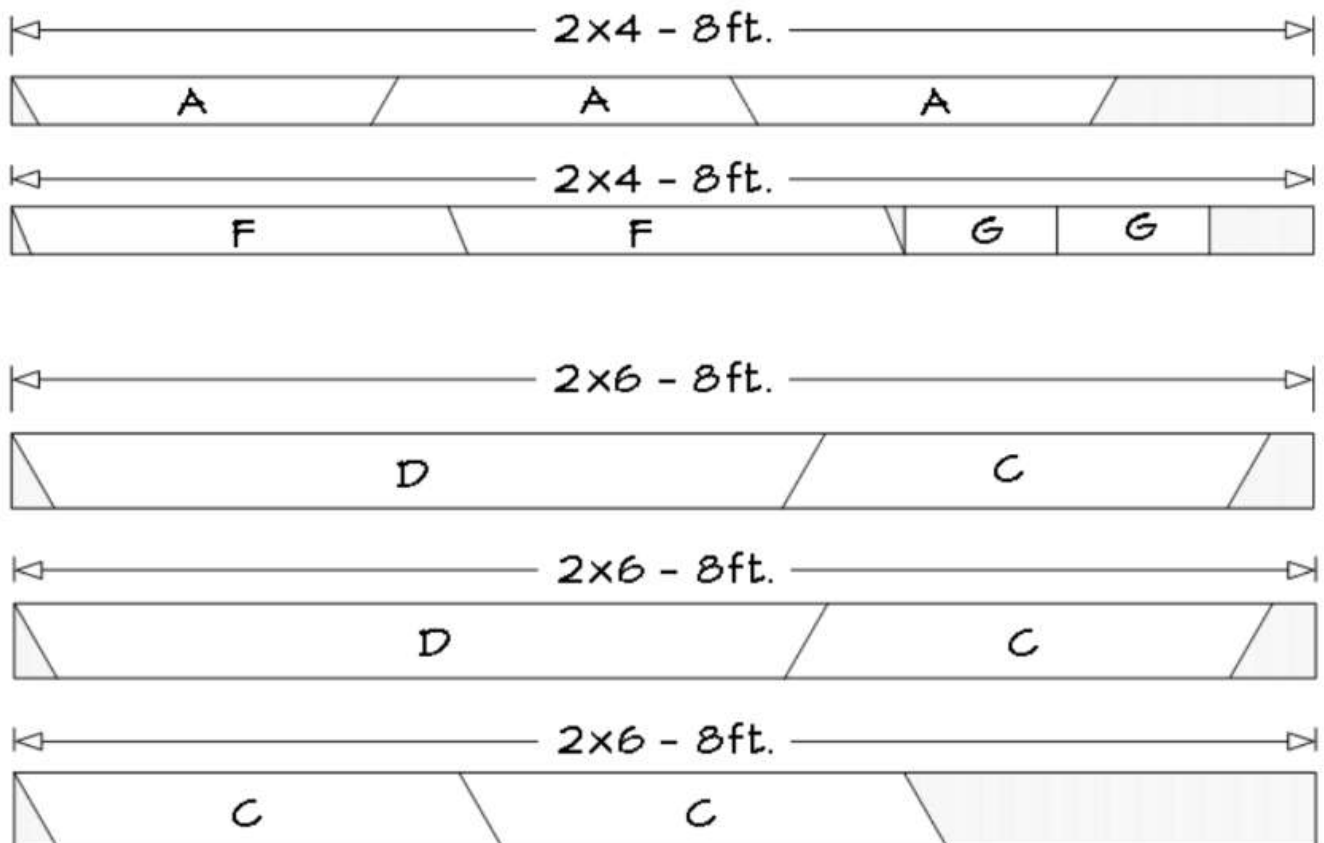


6 Foot Picnic Table Plans

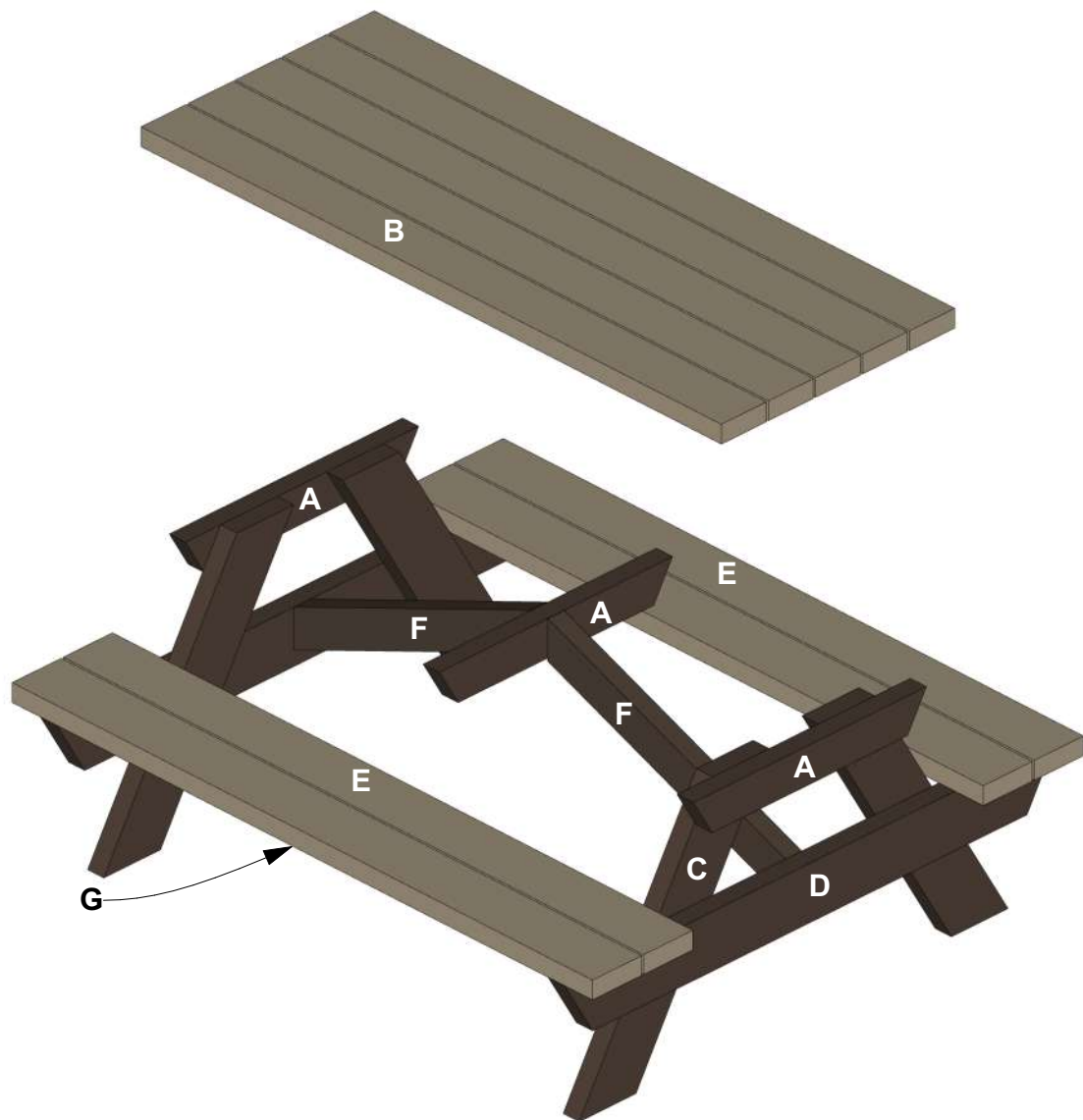


Shopping List

- 2 – 2x4 – 8'
- 4 – 2x6 – 8'
- 4 – 2x6 – 12'
- 2 1/2" pocket hole screws
- 2 1/2" deck screws
- 3" deck screws
- 16 – 3 1/2" carriage bolts, washers, nuts
- exterior wood glue



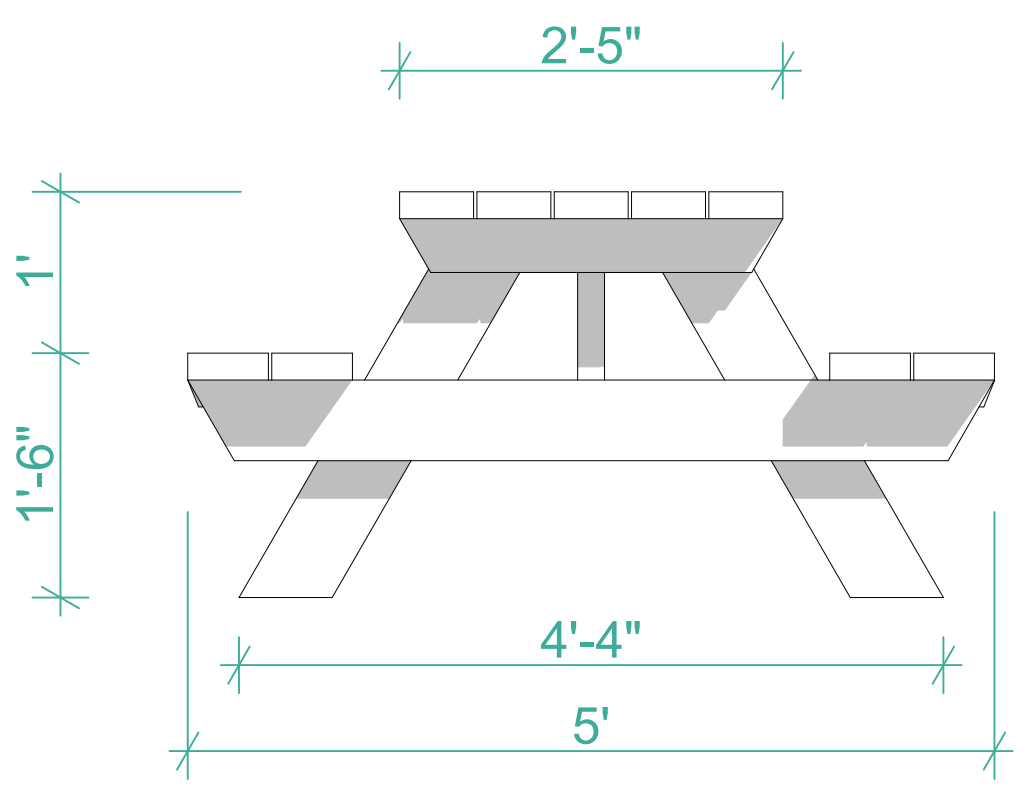
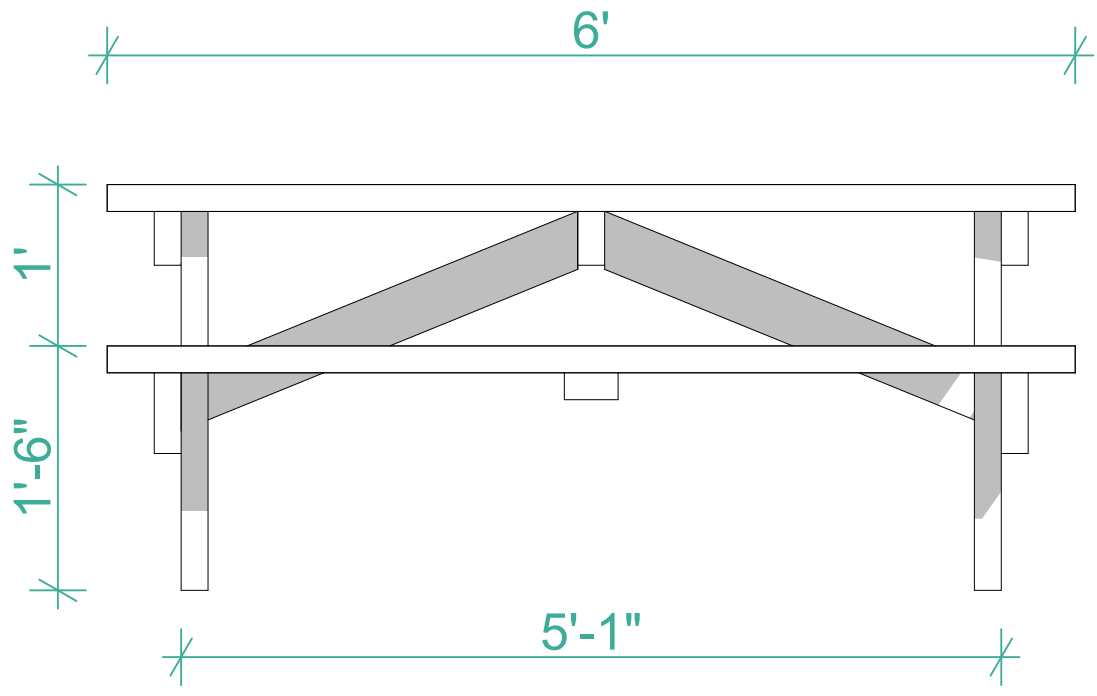
Cutting List



Cutting List

- (A) battens – 3 – 2x4 – 28 1/2" (30-degree angle cut on both ends in opposite directions)
- (B) table top boards – 5 – 2x6 – 72"
- (C) legs – 4 – 2x6 – 36" (30-degree angle cut on both ends in the same direction)
- (D) seat supports – 2 – 2x6 – 60" (30-degree angle cuts on both ends in the opposite directions)
- (E) seat boards – 4 – 2x6 – 72"
- (F) table braces – 2 – 2x4 – 33 5/8" (22.5-degree angle cuts on both ends in the same direction)
- (G) seat cleats – 2 – 2x4 – 11 1/4" (22.5-degree bevel cut on both ends in opposite directions)

Overview



STEP 1

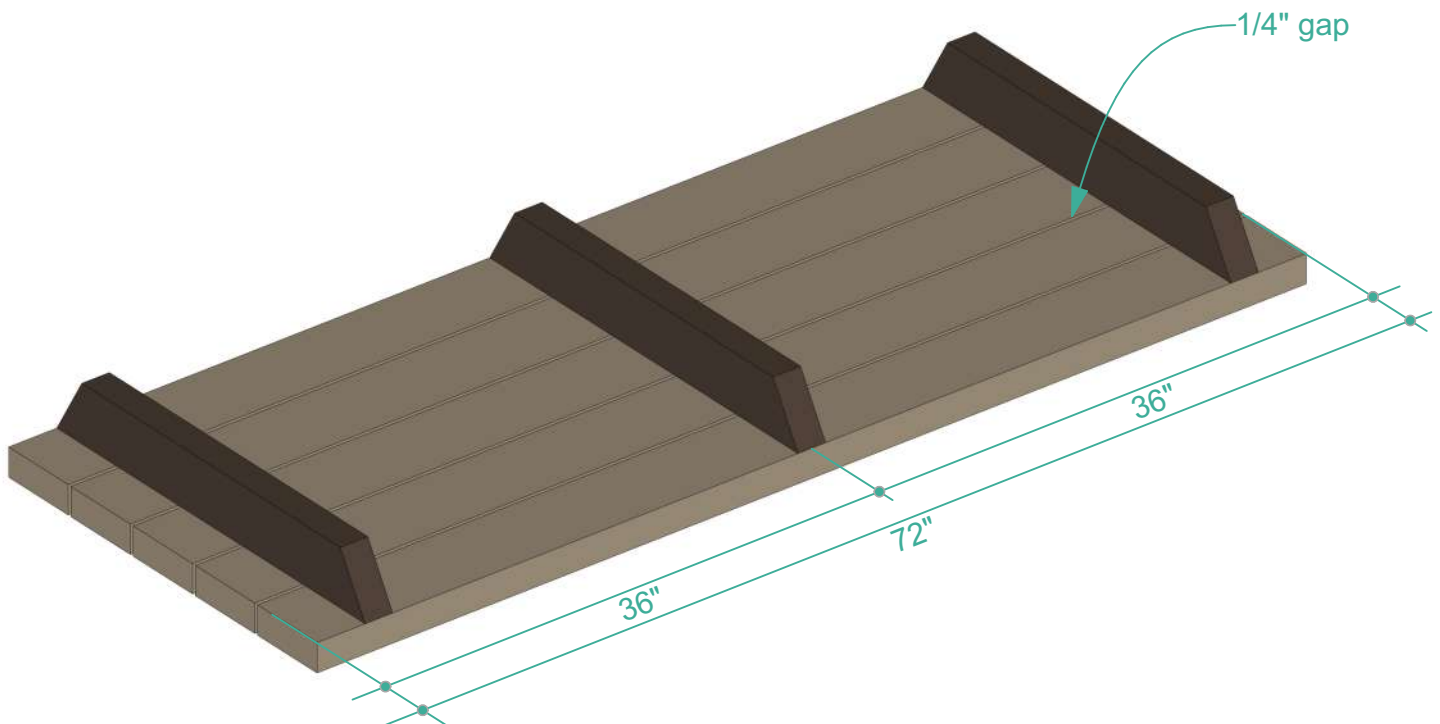
Build Table Top

1.1 A (battens) - 3 - 2x4 - 28 1/2" (30-degree angle cut on both ends in opposite directions)

Cut the battens (A) as shown on drawing below. Drill pocket holes to the brace (A) to screw into the table top boards (B).

1.2. B (table top boards) - 5 - 2x6 - 72"

The table top boards are spaced out 1/4", secure the battens (A) to the table top boards (B) using exterior wood glue and pocket hole screws.



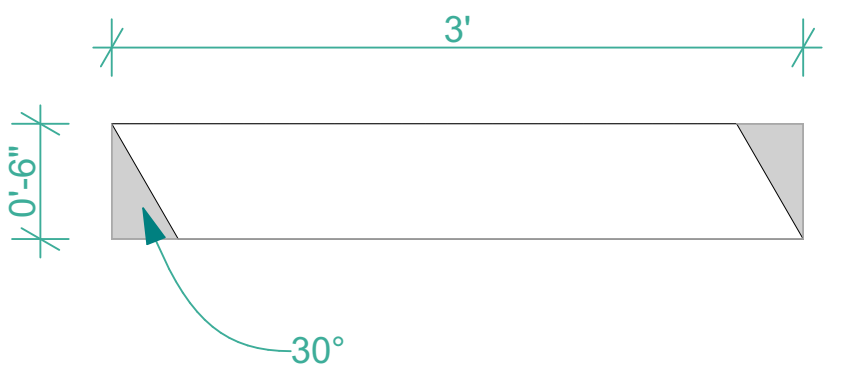
STEP 2

Installing Table Legs

1.1 C (legs) – 4 – 2x6 – 36" (30-degree angle cut on both ends in the same direction)

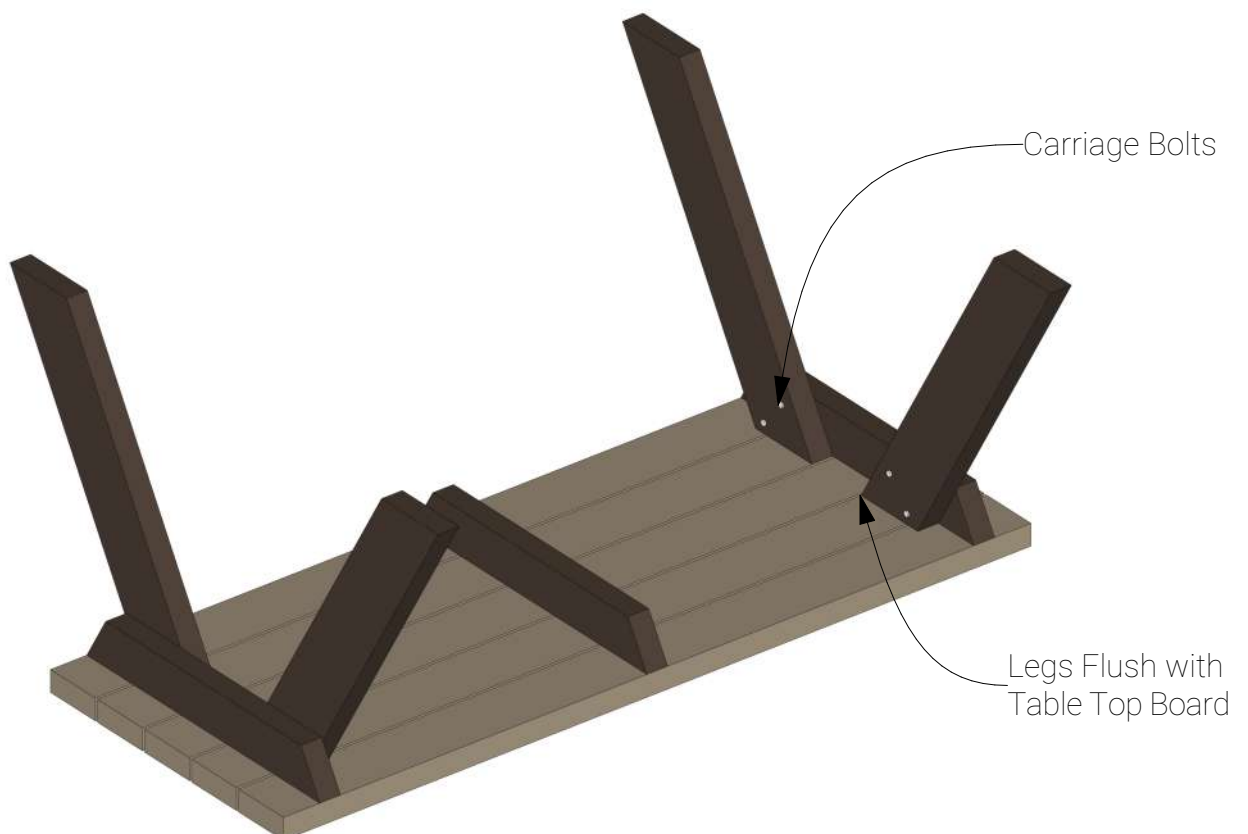
Cut the legs (C) as shown on drawing Below.

2.2. Install the legs (C) as shown on drawing below. Use wood clamps to hold legs in place. Drill holes through the legs (C) and into the battens (A). Secure using exterior wood glue and carriage bolts, washers, and nuts.



C (legs)

1:10

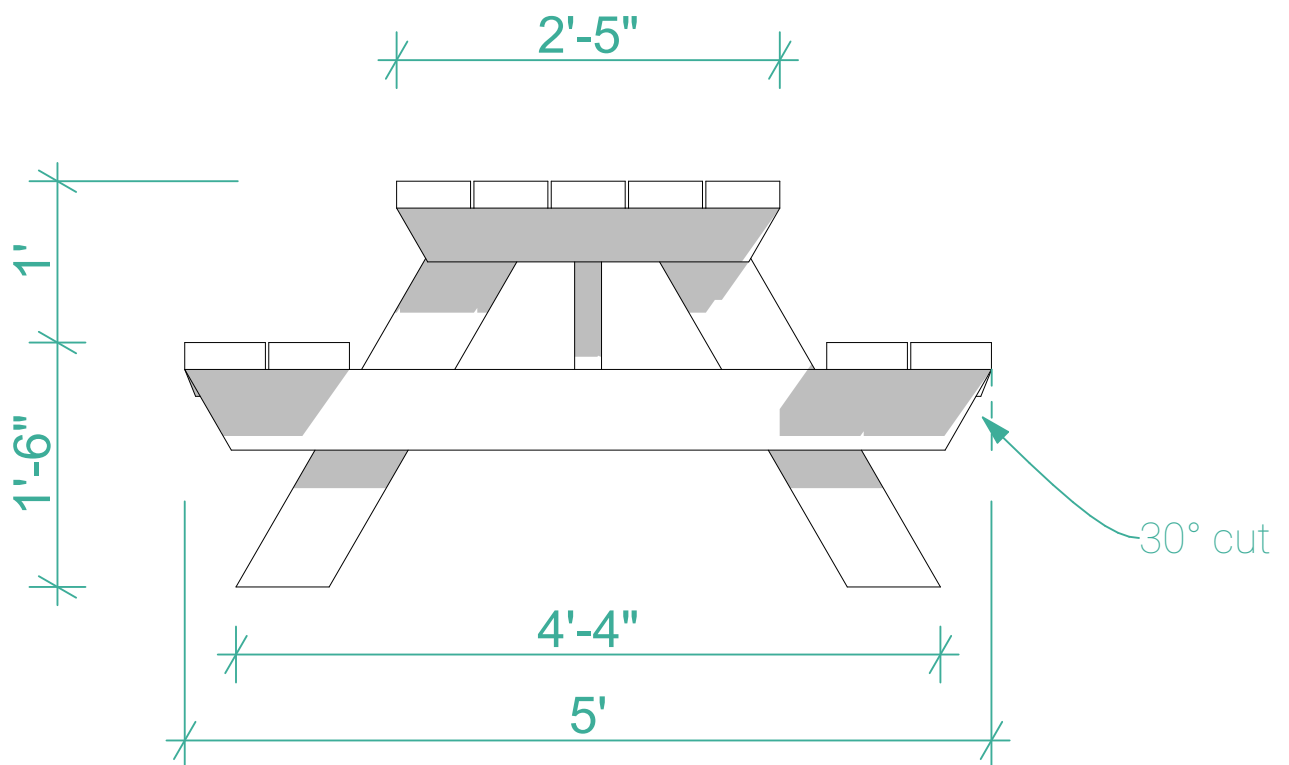


STEP 3

Install Seat Support

3.1 D (seat supports) – 2 – 2x6 – 60" (30-degree angle cuts on both ends in the opposite directions)

3.2. Cut the seat supports (D) and assemble as shown on drawing Below. Use wood clamps to hold seat supports (D) in place. Drill holes through the seat supports (D) and into the legs (C). Secure using exterior wood glue and carriage bolts, washers, and nuts.

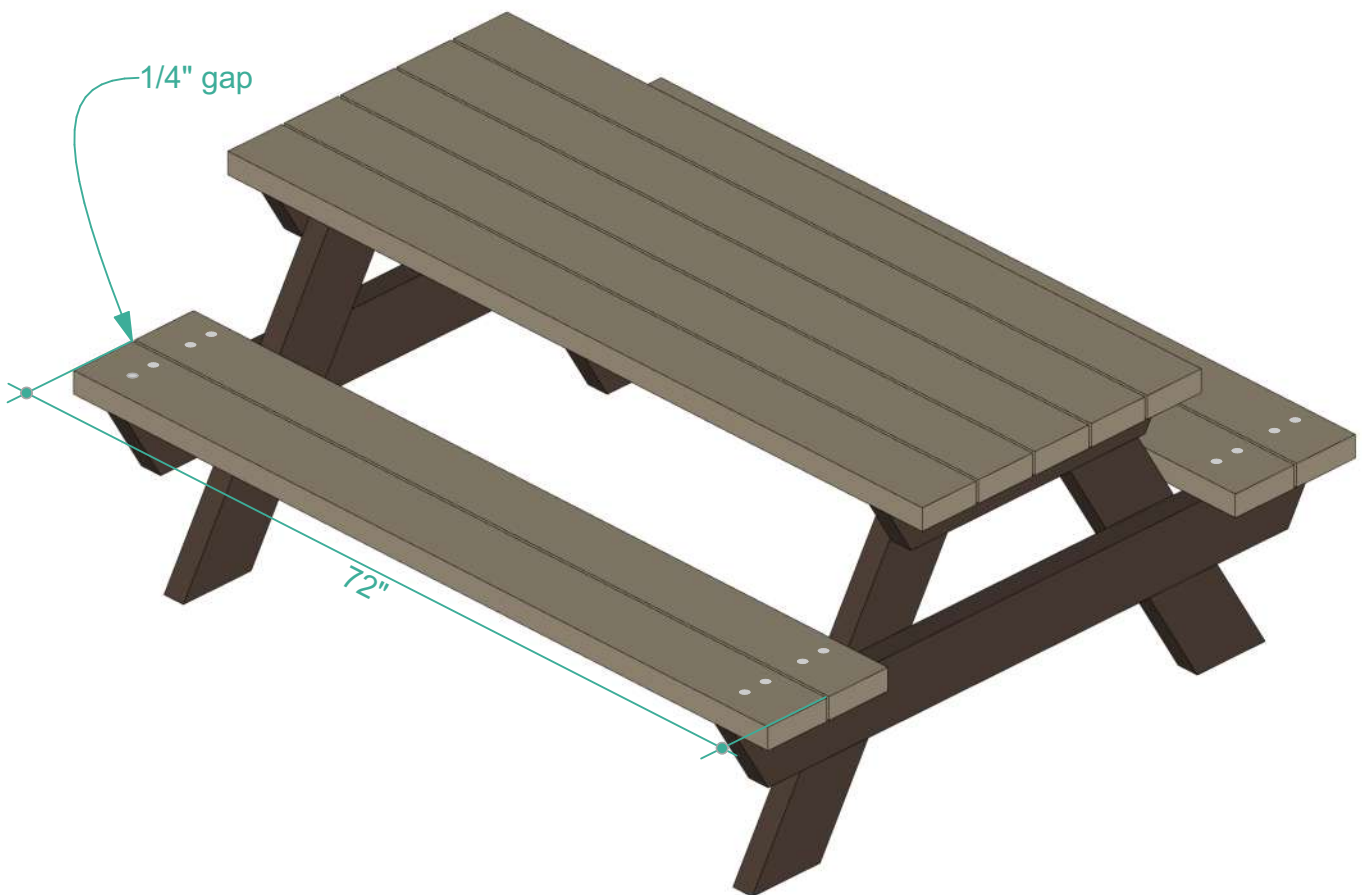


STEP 4

Install Seats

4.1 E (seat boards) – 4 – 2x6 – 72"

4.2 Install the seat boards (E) as shown on drawings bellows. Use exterior wood glue and pocket hole screws, screw through the seat supports (D) and into the seat boards (E).

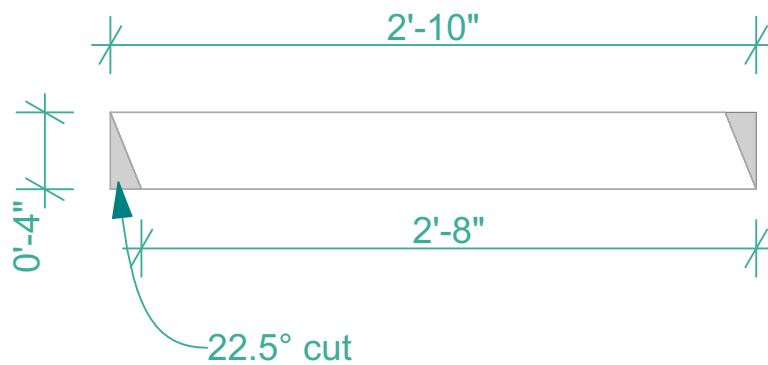


STEP 5

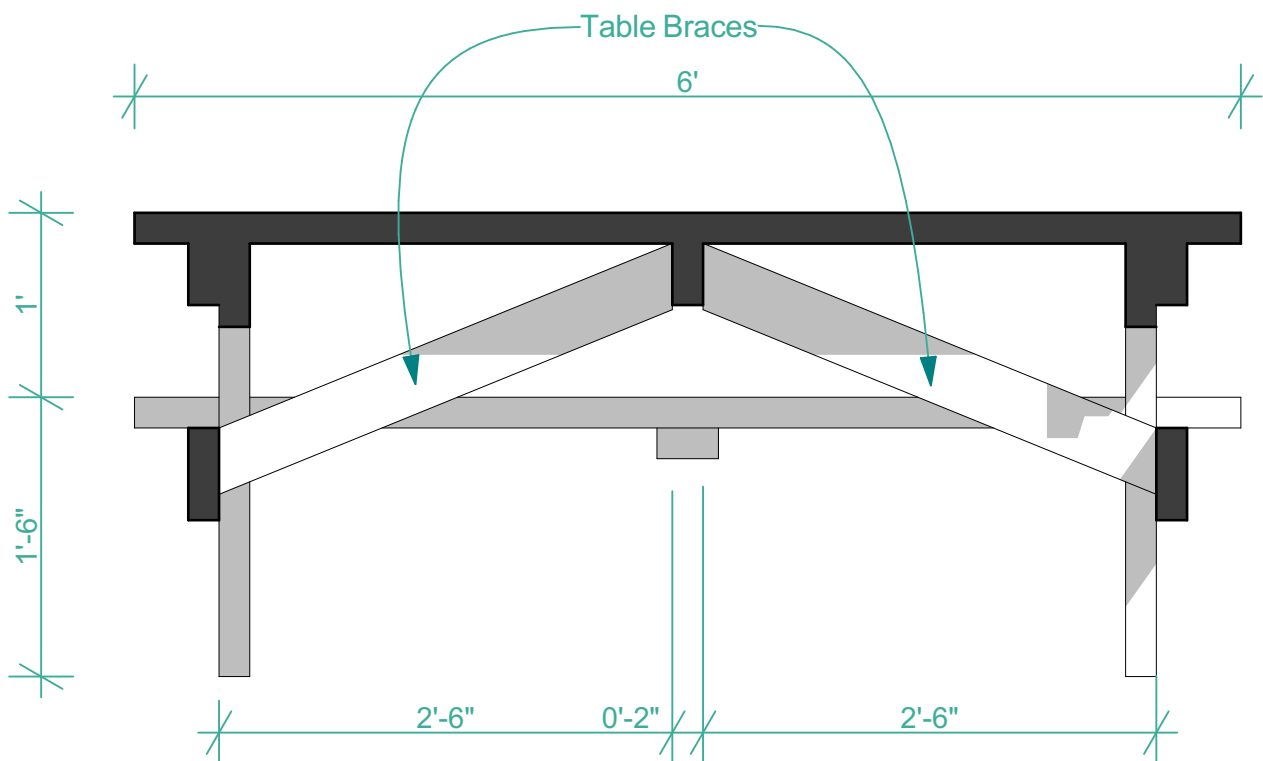
Install Table Braces

5.1 F (table braces) – 2 – 2×4 – 33 5/8" (22.5-degree angle cuts on both ends in the same direction). Cut the table braces (F) as shown on drawing below.

5.2 Pre-drill holes, use exterior wood glue and 3" deck screws to install the table braces (F) as shown on drawing below.



0. F (table braces) 1:10



Pincic Table Section

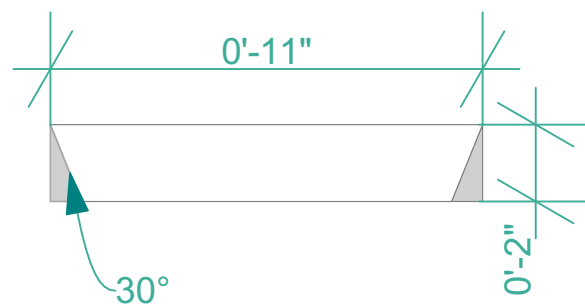
STEP 6

Install Seat Cleats

6.1 G (seat cleats) 2 – 2x4 – 11 1/4" (22.5-degree bevel cut on both ends in opposite directions)

6.2 Cut the seat cleats (G) as shown on drawing above. Pre-drill holes and install using exterior wood glue and 2 1/2" deck screws. Screw through the seat cleats (G) and into the seat boards (E).

6.3 Use sandpaper to smooth out sharp edges. Stain or paint to protect wood.



Seat Cleats

