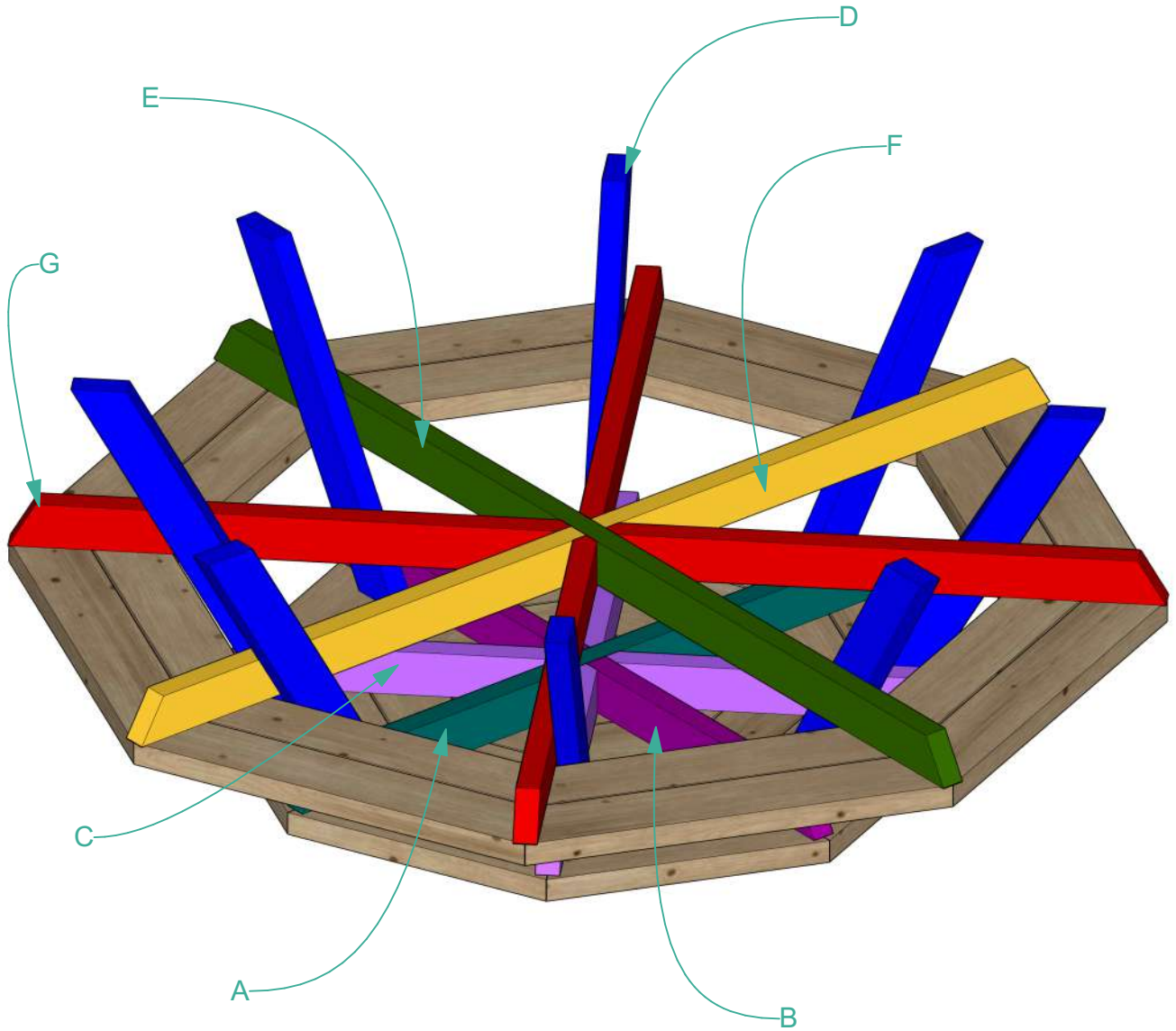


Octagonal Picnic Table Plans



Shopping List

10 - 2x4 @ 8 feet long
15 - 2x6 @ 8 feet long

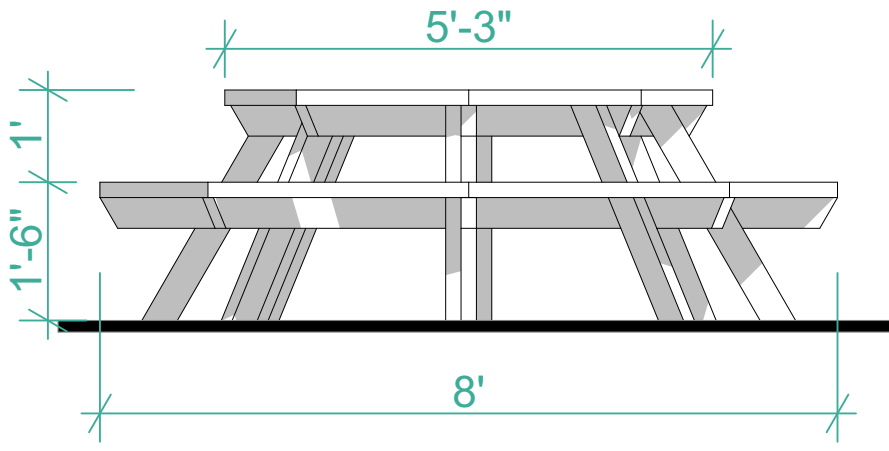
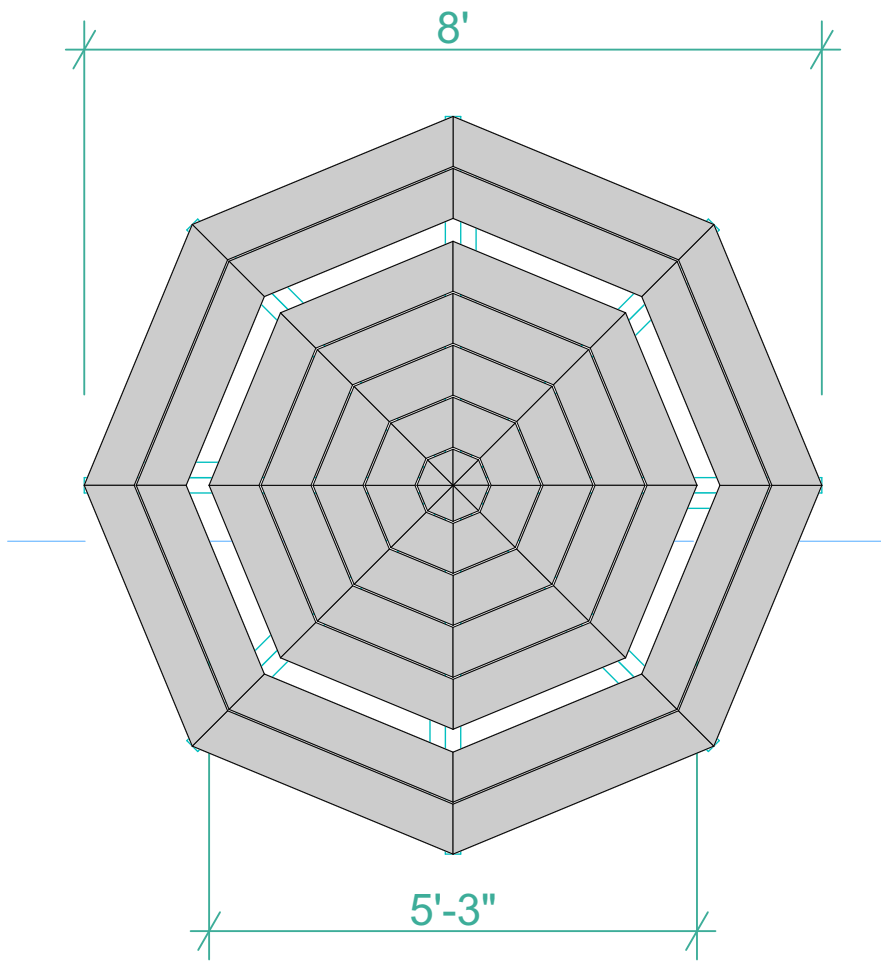


Cutting List

- 1 - 2x4 @ 62" (Longest Point - Both ends tapered back at 30 degrees off square, NOT parallel to each other)
- 2 - 2x4 @ 30 1/2" (Longest Point - One end at 30 degrees off square)
- 4 - 2x4 @ 29 15/16" (Longest Point - One end at 30 degrees off square, other end at a point, 45 degrees off square)
- 8 - 2x6 @ 4 9/16" (Longest Point - Both ends at 22 1/2 degrees off square)
- 8 - 2x6 @ 9 1/2" (Longest Point - Both ends at 22 1/2 degrees off square)
- 8 - 2x6 @ 14 7/16" (Longest Point - Both ends at 22 1/2 degrees off square)
- 8 - 2x6 @ 19 5/16" (Longest Point - Both ends at 22 1/2 degrees off square)
- 8 - 2x6 @ 24 1/4" (Longest Point - Both ends at 22 1/2 degrees off square)
- 8 - 2x6 @ 32 15/16" (Both ends at 30 degrees off square, parallel to each other)
- 1 - 2x4 @ 95" (Longest Point - Both ends tapered in at 30 degrees off square)
- 2 - 2x4 @ 46 3/4" (Longest Point - One end at 30 degrees off square)
- 4 - 2x4 @ 46 7/16" (Longest Point - One end at 30 degrees off square, other end at a point, 45 degrees off square)

- 8 - 2x6 @ 31 13/16" (Longest Point - Both ends at 22 1/2 degrees off square)
- 8 - 2x6 @ 36 3/4" (Both ends at 30 degrees off square, parallel to each other)

Overview



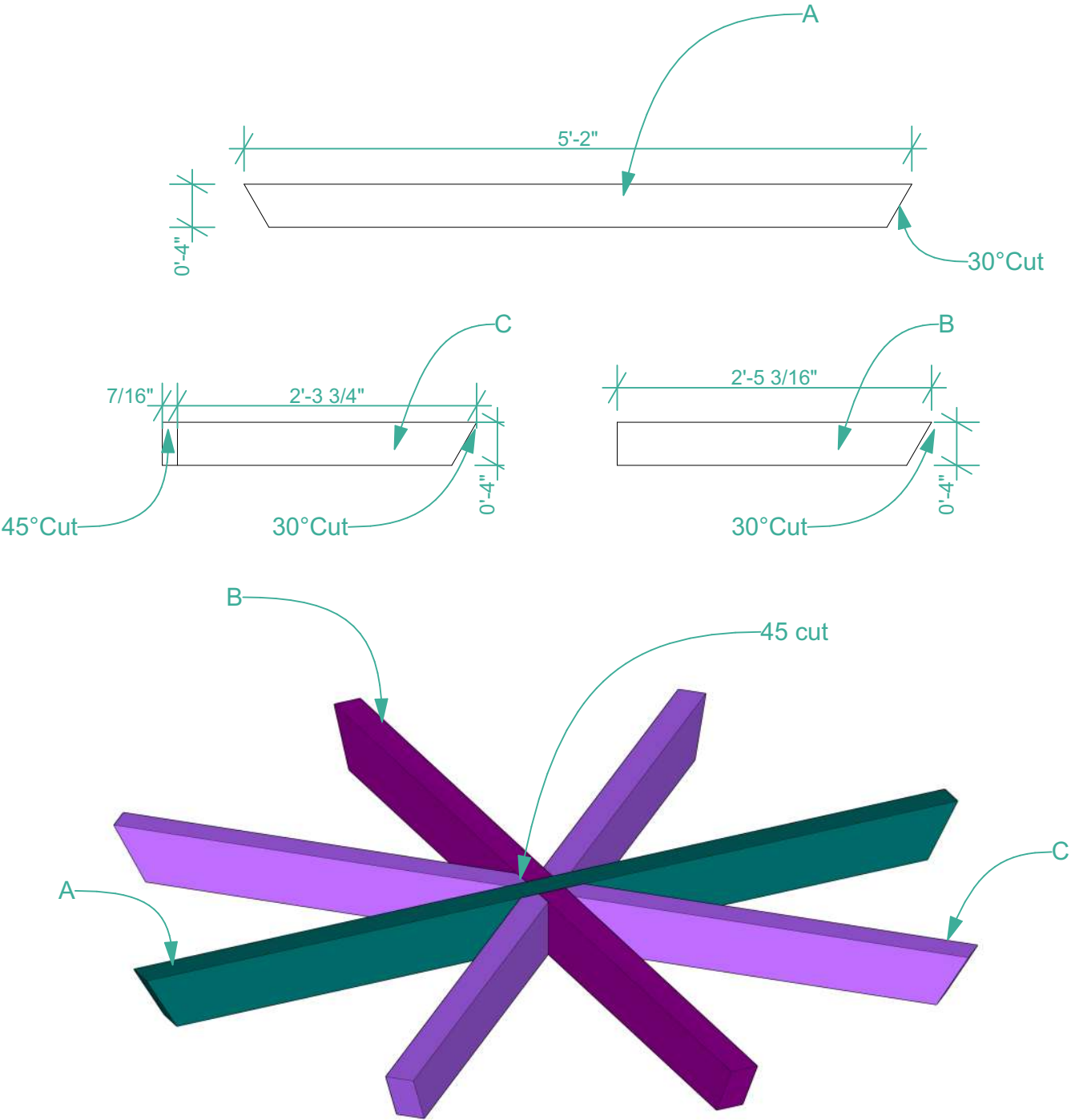
Step 1

Cut Table Top Battens

1.1 Batten A- Cut one 2x4 board to 5'2" length. Cut both sides of the board at 30° on opposite directions.

1.2 Batten B- Cut two 2x4 board to 2'5 3/16" length. cut one side of the board at 30°

1.3 Batten C- Cut four 2x4 board to 2'5 3/16" length. cut one side of the board at 30° and another side at 45° but sideways like illustrated below.

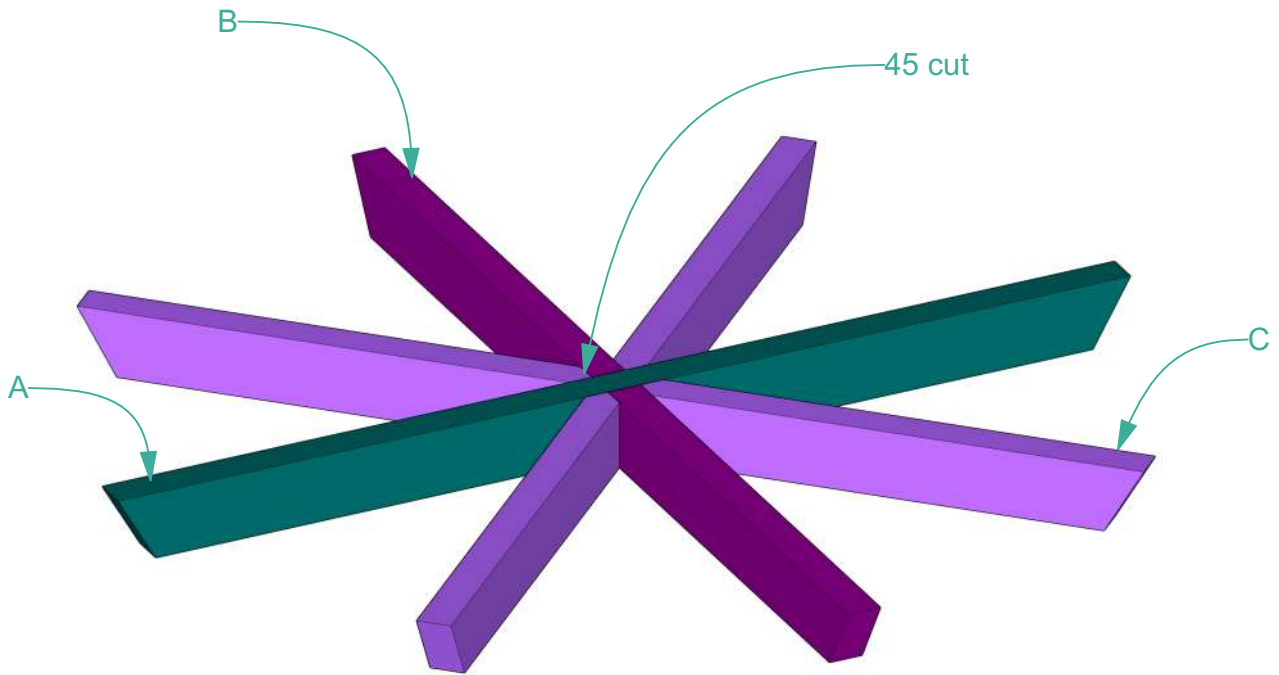
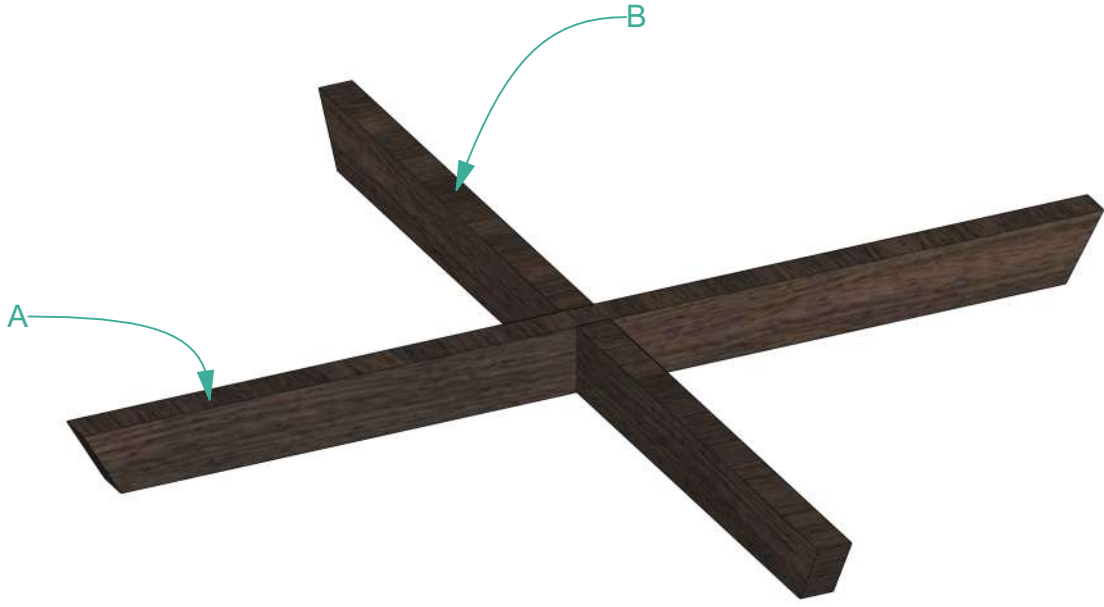


Step 2

Build Table Top Battens

2.2 It starts with a big X. Be sure you are working on a very flat, level surface. Use pocket hole screws and glue to joint in the center as shown below. You could also use metal straps or plates but you can only place the metal plates on the bottom side.

2.2. You will then need to carefully cut the remaining supports as shown below and add, with 22 1/2 degree angles between the "spokes". Pocket holes or metal brackets.

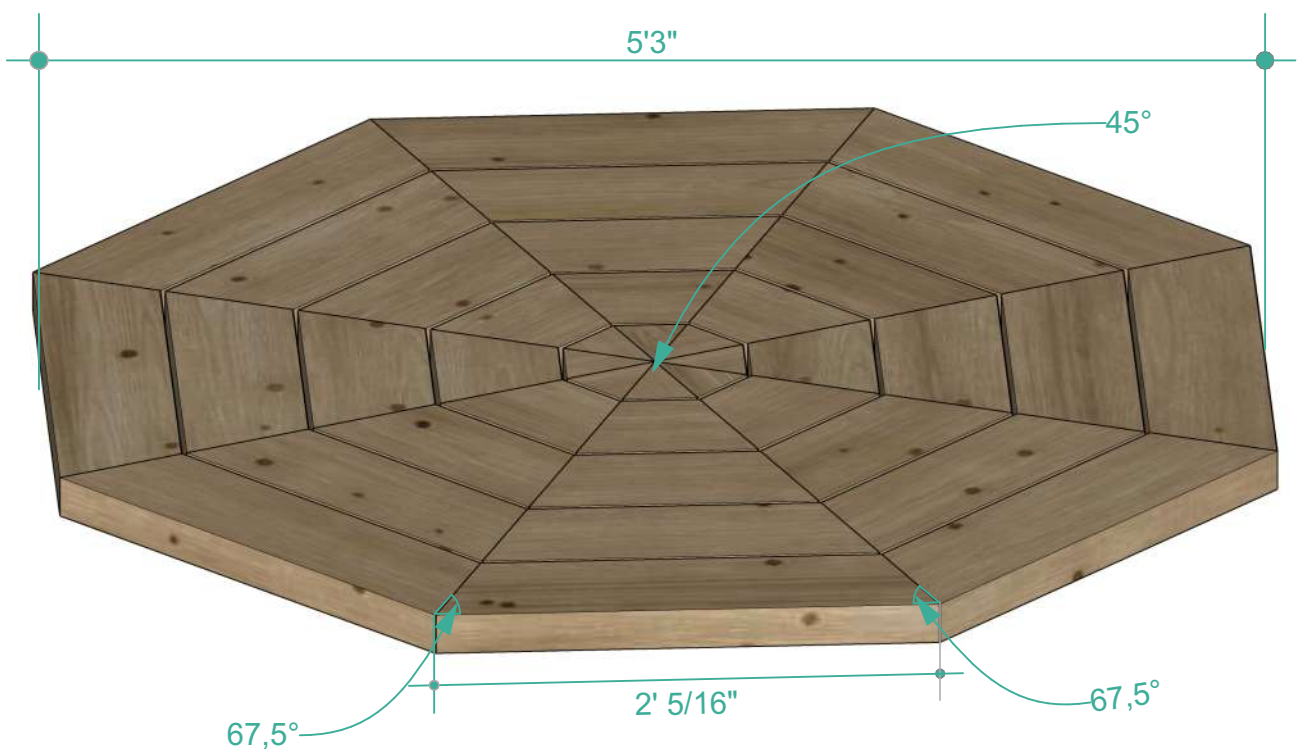


Step 3

Build Table Top

3.1 Cut Boards like shown in the cutting list

3.2 Layout all of the tabletop boards first and adjust as necessary. The tabletop boards should meet in the center of the "spokes". Screw down, two screws per board, predrilled.

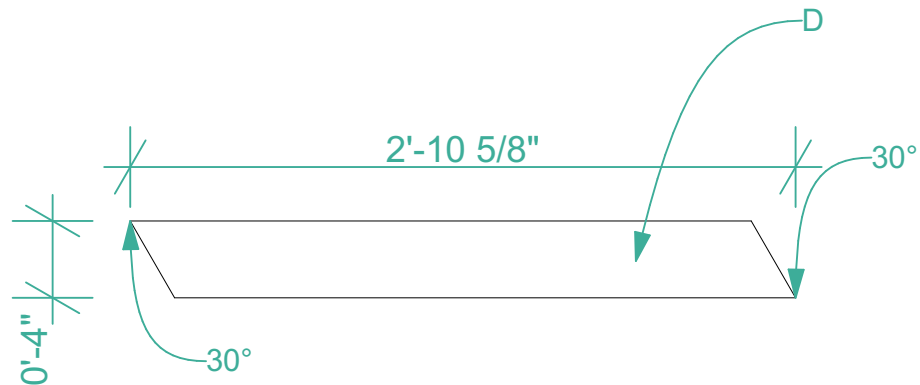


Step 4

Build Table Legs

4.1 D (table legs)- Cut 2x4 board to 2'10 21/32" length. Cut both sides of the board at 30° on same direction.

4.2 Rotate Table top and flush table legs to the corner the battens like on the illustration below. use 3" screws



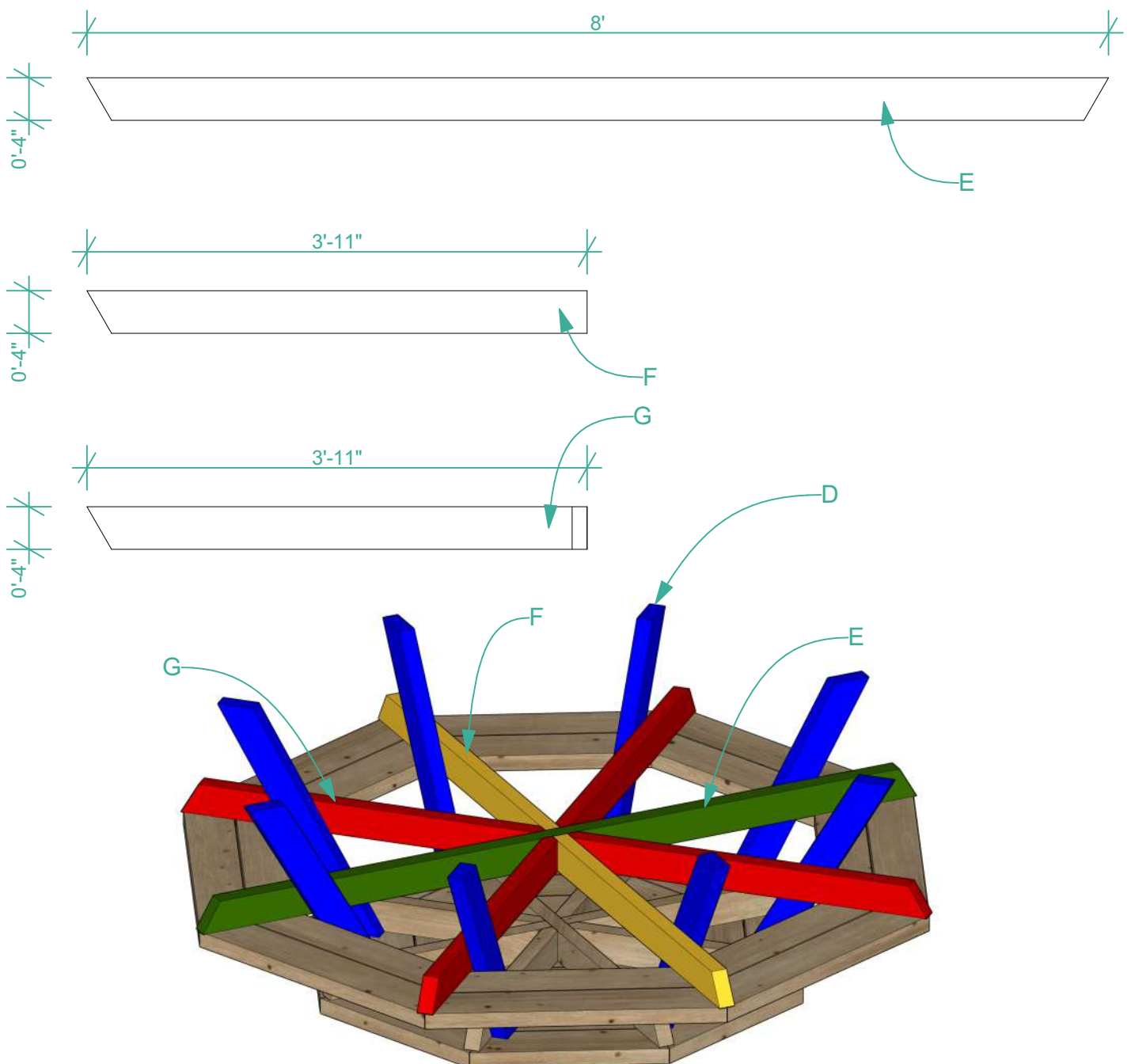
Step 5

Cut Seat Holder Battens

5.1 Batten E- Cut one 2x4 board to 8' length. Cut both sides of the board at 30° on opposite directions.

5.2 Batten F- Cut two 2x4 board to 3'11" length. cut one side of the board at 30°

5.3 Batten C- Cut four 2x4 board to 3'11" length. cut one side of the board at 30° and another side **at 45° but sideways like illustrated below.**



Step 6

Build Seat Holder Battens

6.1 Mark all of your legs as shown above. Start by adding the longest remaining support as shown below.

6.2 Then add the two supports cut straight on one end as shown below.

6.3 add the remaining lower supports.

6.4 use 3" screws



Step 7

Build Seat

7.1 Flip the table back over and screw down the seat boards as shown below. This time, start to the outside and work your way inward.



Step 8

Add finish

8.1 Use sandpaper to smooth out sharp edges. Stain or paint to protect wood.

