

Picnic Table With Coolers Plans



Shopping List

Materials for Table:

- 5 – 2x8 8' length (table top)
- 5 – 2x4 8' length (framing/skirting)
- 2 – 4x4 8' length (table legs)
- 3 – 1x4 8' length (ice box supports)
- 2 – 10"x20" plastic planter boxes:

https://www.amazon.com/Fiskars-TerraBox-Planter-Thyme-Green/dp/B004IUBUQG/ref=as_li_ss_tl?ie=UTF8&qid=1458703841&sr=8-7&keywords=window+planter+box&linkCode=ll1&tag=remodelahol06-20&linkId=3b0eba828d489e6b4bab2963585dc44c

https://www.homedepot.com/p/Medley-20-in-x-10-in-Warm-Copper-Plastic-Window-Box-WB690H-WC/203621369?irgwc=1&cm_mmc=afl-ir-190547-456723-&clickid=yZ73Yn3a2xyNRbBVtfT813xbUkA0KaztHSzwyE0

- 2 1/2" Kreg pocket screws
- 1 1/2" Kreg pocket screws
- 1 3/4" Deck screws
- 8 – 5/16" x 3" bolts
- 8 – 5/16" washers
- 8 – 5/16" wood anchors
- 120 grit sandpaper
- 80 grit sandpaper

Materials For Bench:

- 2 – 2" x 6" x 8' boards
- 3 – 2" x 4" x 8' boards
- 1 – 4" x 4" x 8' boards

Cutting List

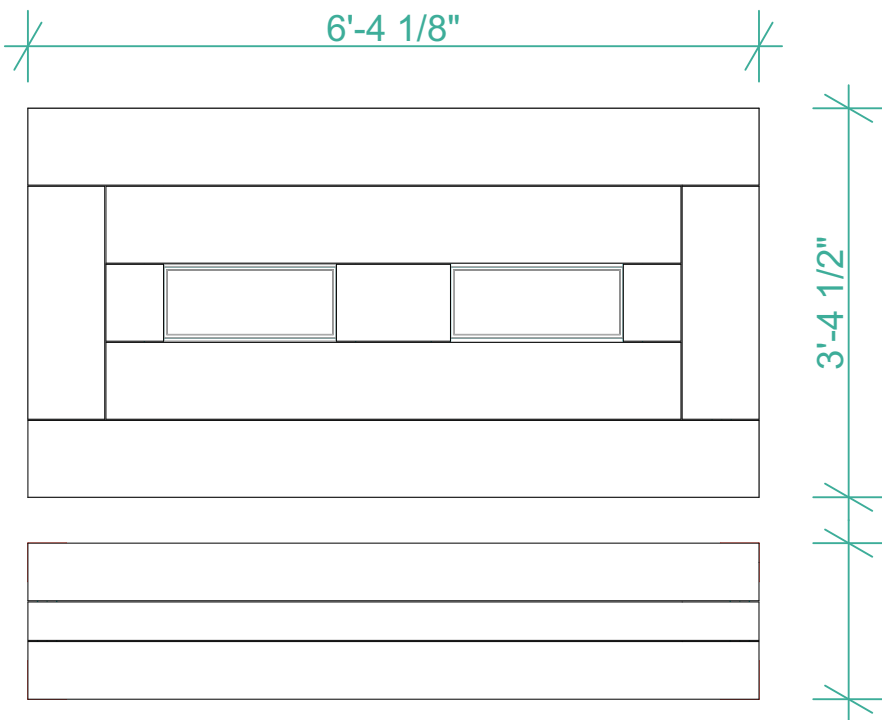
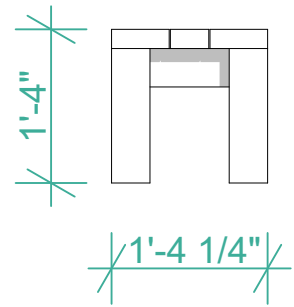
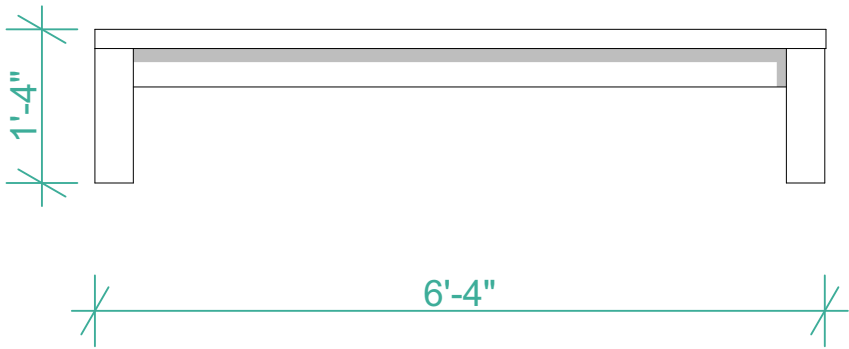
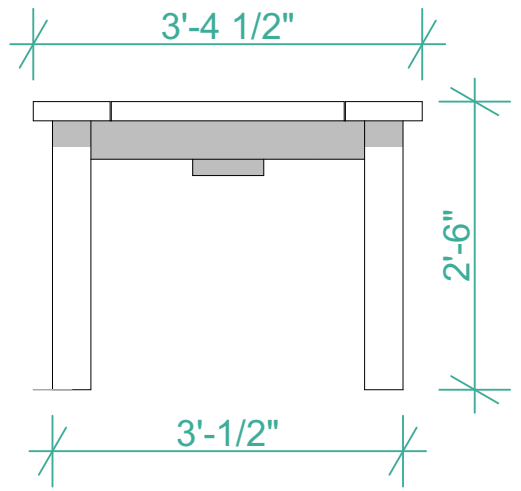
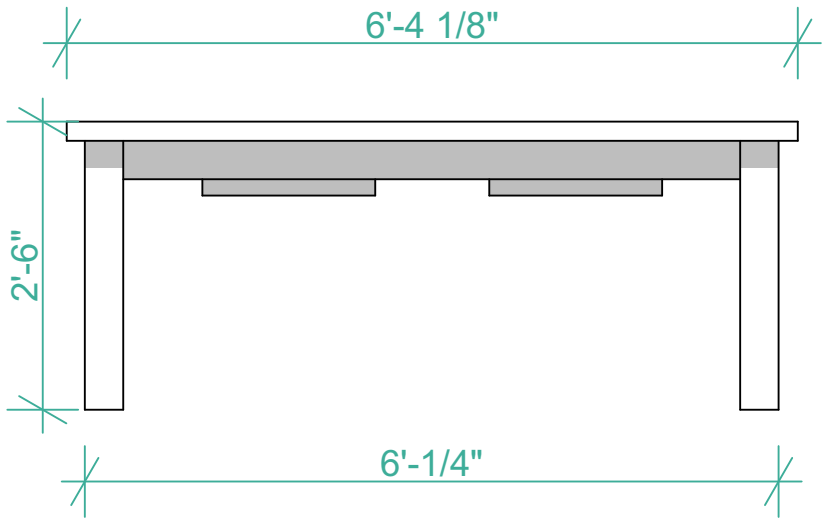
Materials for Table:

- 2 - 2x8 6' length (table top)
- 2 - 2x8 5' length (table top)
- 2 - 2x8 2' length (table top)
- 2 - 2x8 6" length (table top)
- 1 - 2x8 1" length (table top)
- 2 - 2x8 20" length (Cooler lid)
- 2 - 2x4 5' 4 1/4" length (framing/skirting)
- 4 - 2x4 2' 6 1/2" length (framing/skirting)
- 4 - 2x4 1' 6" length (framing/skirting)
- 2 - 2x4 2' 4 1/2" length (framing/skirting)
- 4 - 4x4 2'4" length (table legs)

Materials For Bench:

- 2 - 2" x 6" x 6' boards
- 1 - 2" x 4" x 6' boards
- 2 - 2" x 4" x 5'8" boards
- 2 - 2" x 4" x 8" boards
- 4 - 4" x 4" x 1'2" boards

Overview

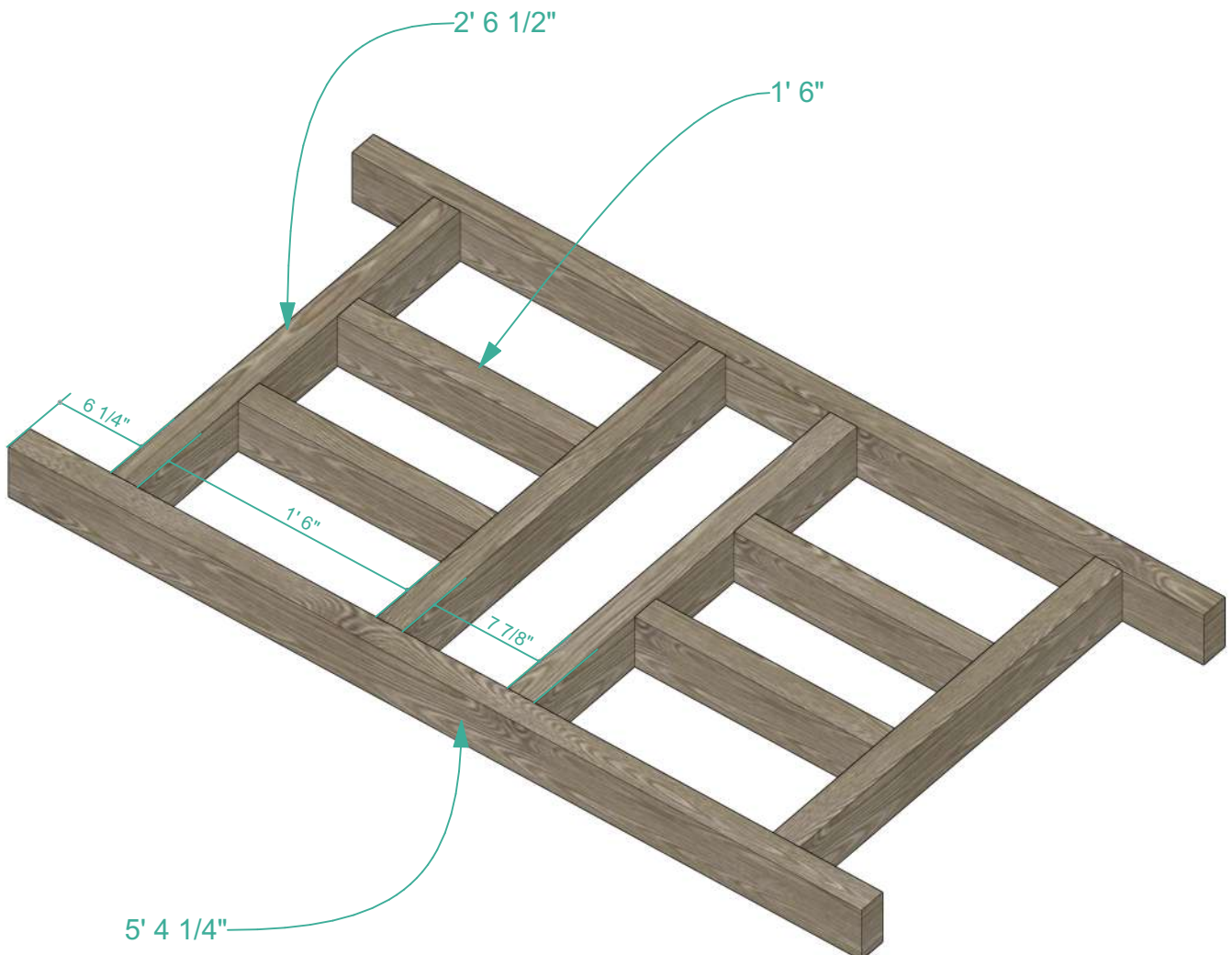


Step 1

Build Table Top Battens

1.1 Build a table top battens by using 2x4 pressure treated lumbers. you will need 2 pieces of 5' 4 1/4", 4 pieces of 2' 6 1/2" and 4 pieces of 1' 6" long boards.

1.2 connect pieces by 3" screw



Step 2

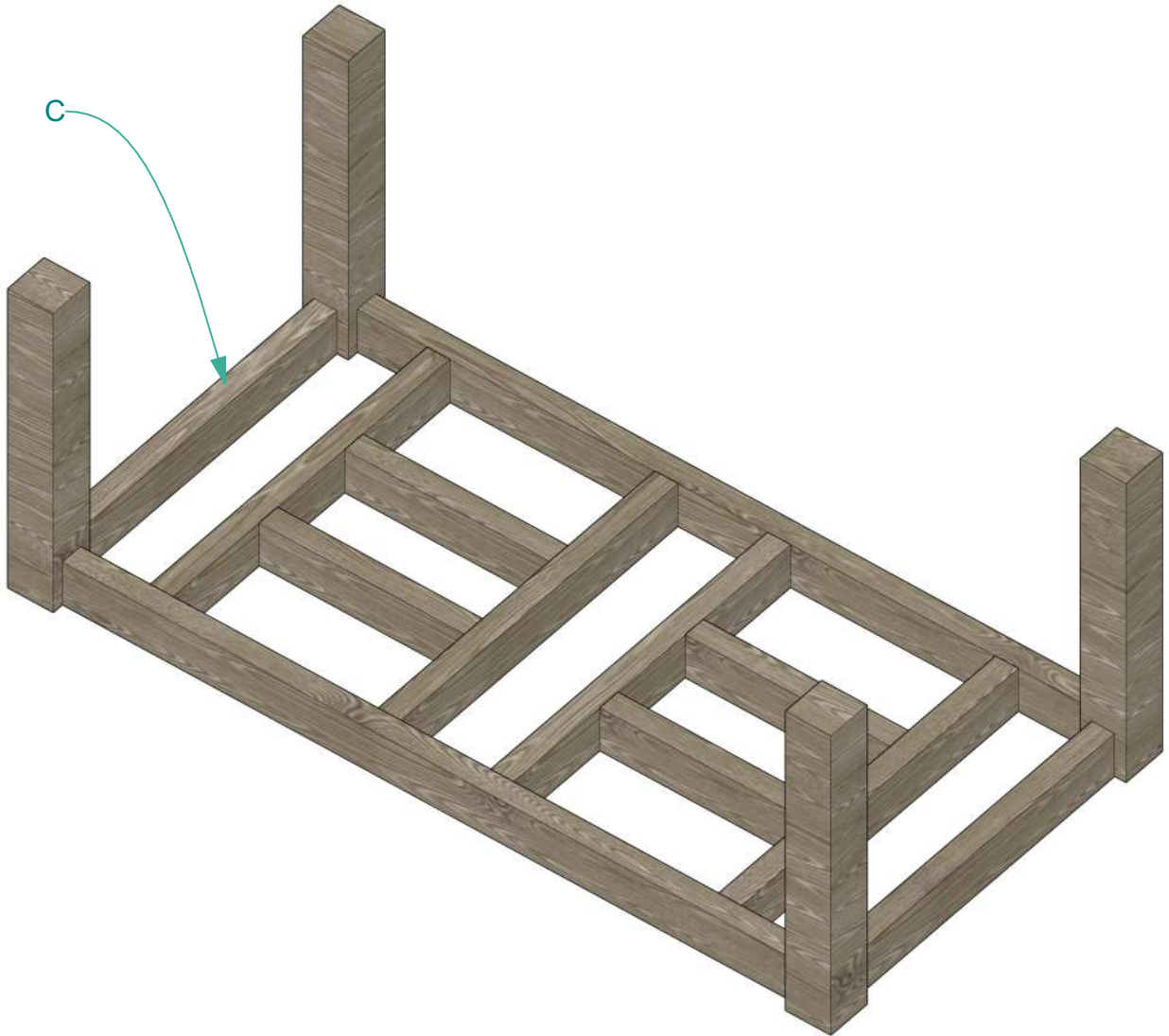
Build Table Legs

2.1 Legs-4 – 4x4 – 2'4"

Cut the legs as mentioned above.

2.2. Batten (C)- 2-2x4-2'6 1/2"

assemble battens as shown below. Drill pocket holes to the batten (C) and screw into the table legs.



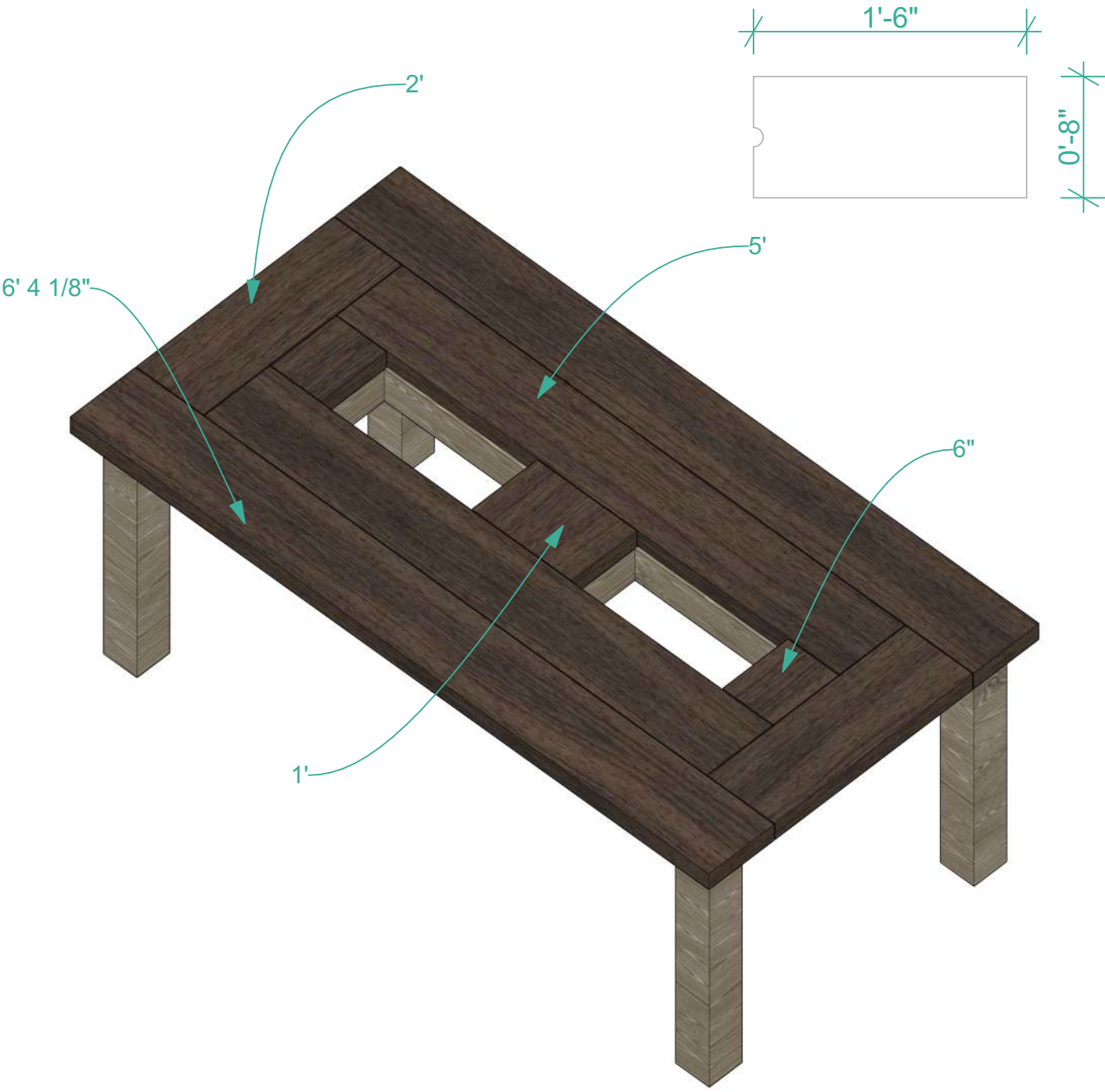
Step 3

Build Table Top

3.1 Build a table top batters by using 2x8 pressure treated lumbers. you will need 2 pieces of 6' 4 1/8" , 2 pieces of 5', 2 pieces of 2', 2 pieces of 6" and 1 piece of 1' long boards.

3.2 predrill the holes and connect them into the boards udsing 3' screws.

3.3 Build a cooler lid by using 2x8 pressure treated lumbers. cut 2 pieces into 20" long boards



Step 4

Add Cooler Boxes

4.1 In this case we are using plain 18"x 7 1/2" plastic planter boxes, which you can find in your local shop or order from here [amazon](#) (see links on shopping list). You can use different size boxes too but make sure you adjust battens and board size.

4.2 use silicone/screws to fix box on the battens



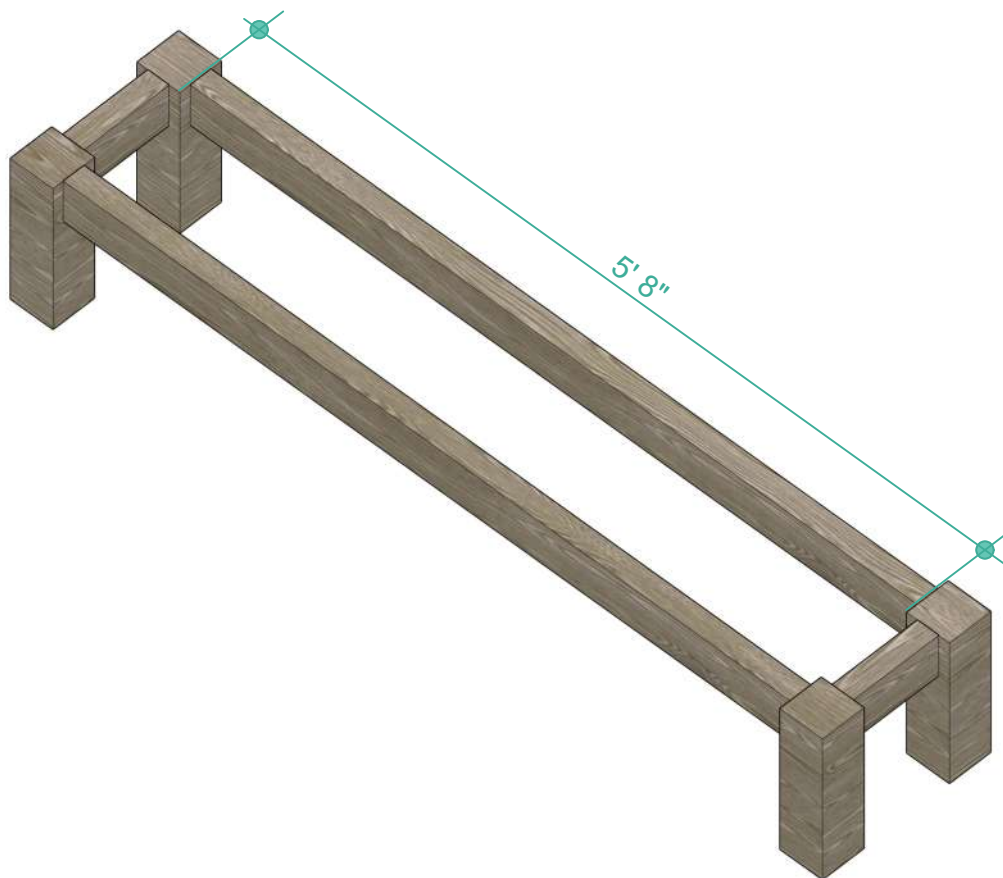
Step 5

Build Bench frame

5.1 Build a Bench battens by using 2x4 pressure treated lumbers. You will need 2 pieces of 5' 8" ,and 2 pieces of 8" long boards.

5.2 Build Bench legs using 4x4 pressure treated lumber. You will need 4 pieces of 1'2" long board

5.3 connect them together using 3' screws

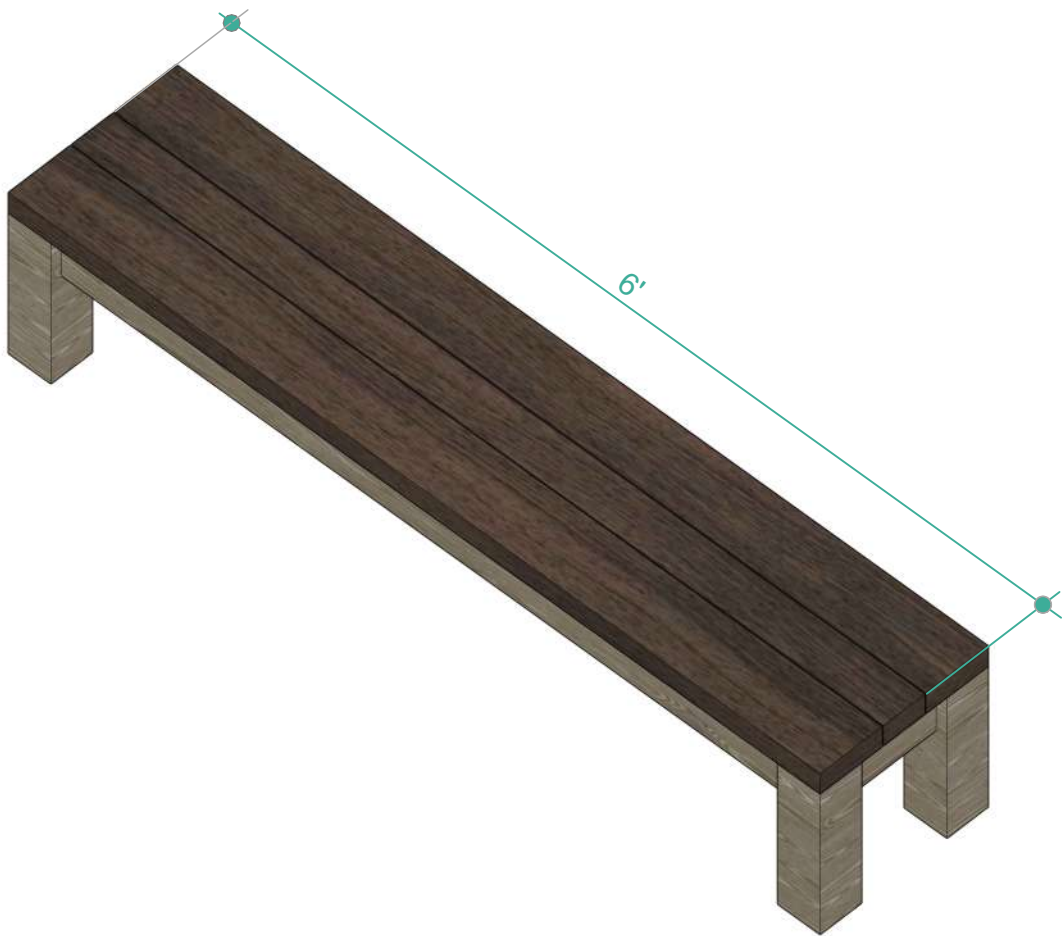


Step 6

Build Bench Seat

5.1 Build a Bench Seat by using 2x6 and 2x4 pressure treated lumbers. You will need 2 pieces (2x6) of 6' long board ,and 1 piece (2x4) of 6' long boards.

5.2 connect them together with battens using 3' screws



Step 7

Add Finish

7.1 Once everything is assembled, sand table with sandpaper. Most of the sanding can be done with an orbital sander loaded with 120 grit sand paper. Rough spots may need 80 grit sandpaper.

7.2 After you've sanded table, stain each section.

7.3 We recomend to use a wood conditioner so that our stain coat would come out more evenly. About 15 minutes after applying the wood conditioner wipe off any excess, and apply a coat of basic interior oil based wood stain with a foam brush.

7.4 After the stain dries, I apply three coats of water based spar urethane, sanding VERY LIGHTLY with a fine sanding sponge in between coats.