

6'5" Picnic Table Plans



Shopping List

14 – 2x4 – 8'

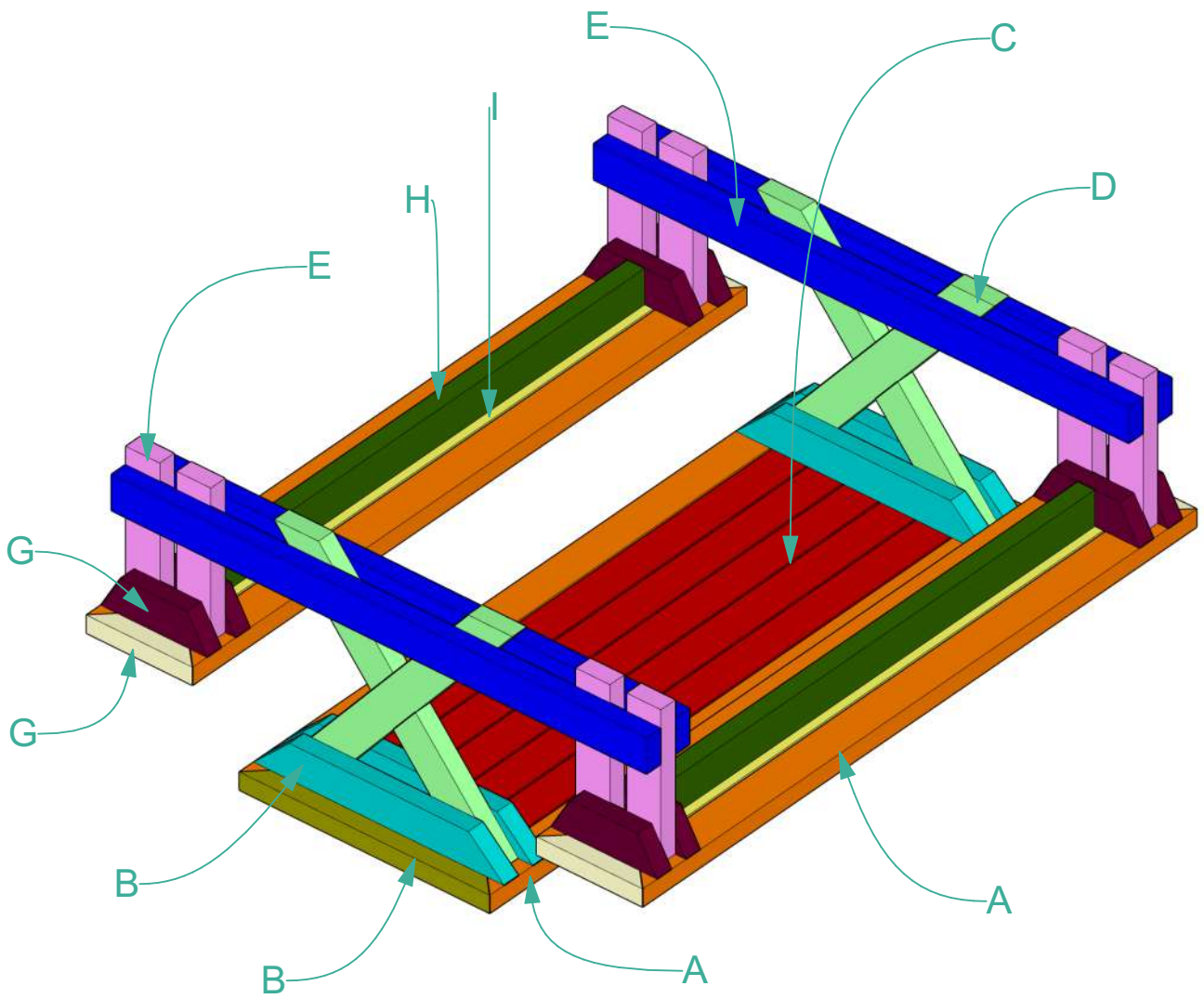
8 - 2x4 - 6'

3" deck screws

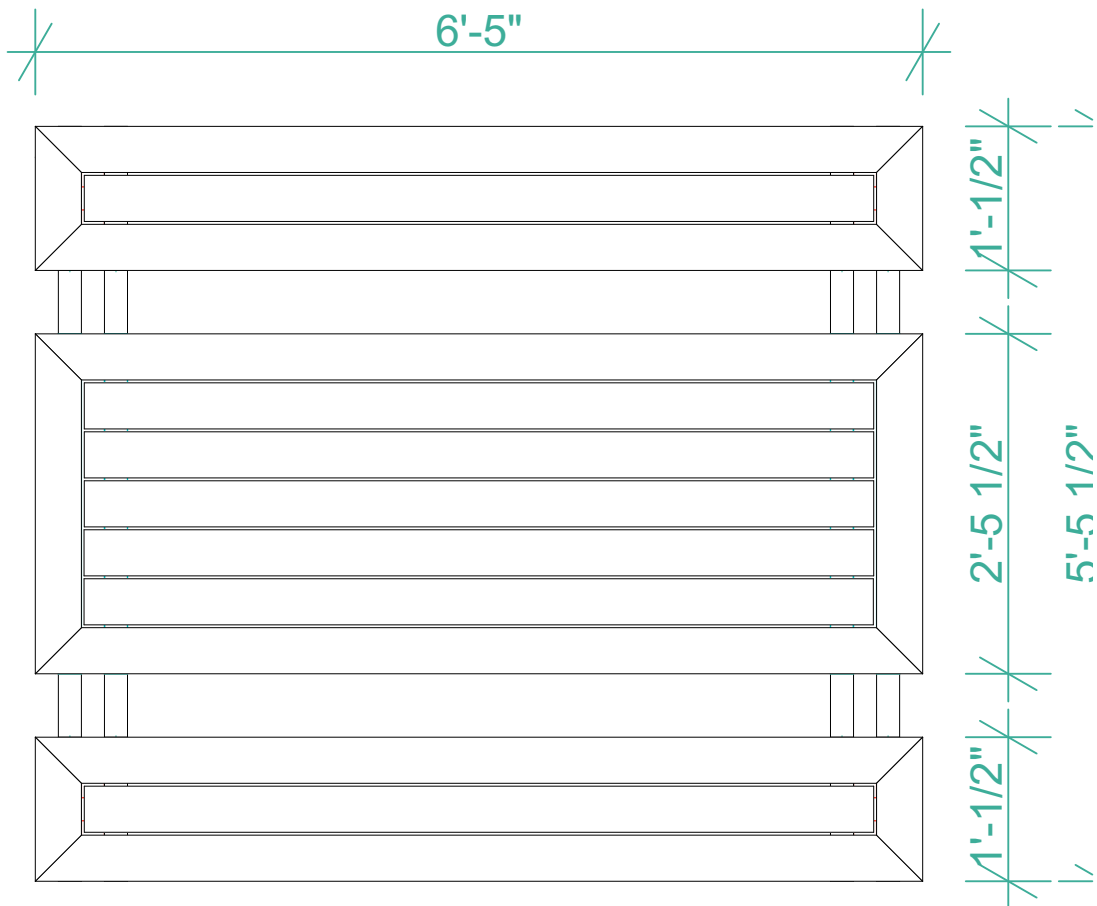
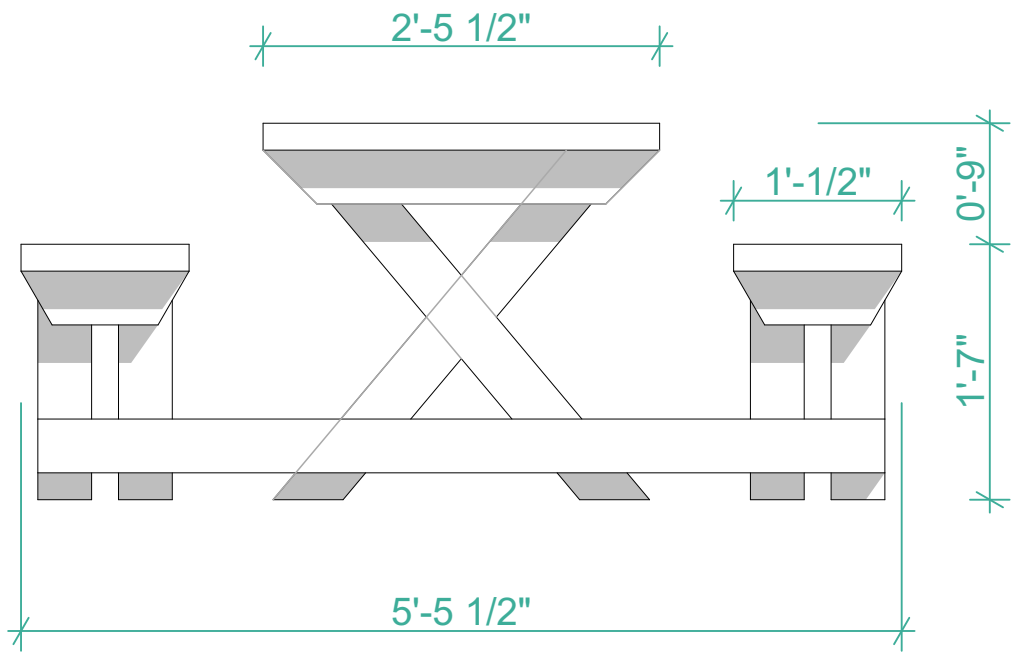
10- 3" Carriage Bolts

Cutting List

- (A) 6 - 2x4 - 6'5" (45 degree cut on both sides, opposite direction)
- (B) 6 - 2x4 - 2' 4 1/2" (45 degree cut on both sides, opposite direction)
- (C) 5 - 2x4 - 2'
- (D) 4 - 2x4 - 3' 1 1/4" (50 degree cut on both sides, similar direction)
- (E) 4 - 2x4 - 5' 3"
- (F) 8 - 2x4's - 1' 5"
- (G) 12 - 2x4 - 1' 1/2" (Cut the ends of the 2x4's at 45° on opposite directions.)
- (H) 2 - 2x4 - 5'1"
- (I) 2 - 2x4 - 5' 8 1/2"



Overview



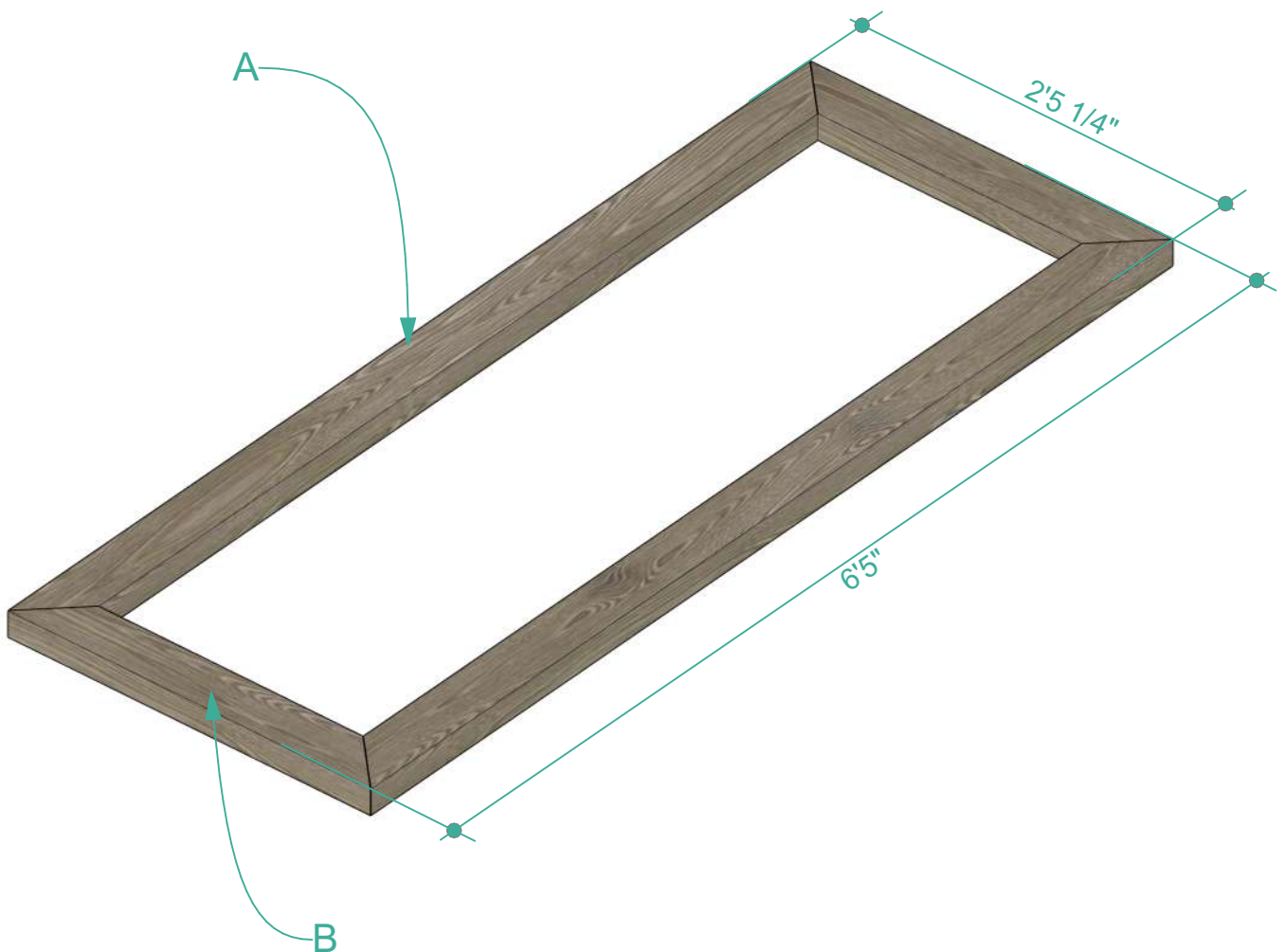
STEP 1

Build Table Top Frame

1.1 Cut Two 2x4's (A) to 6'5" length for the table top frame. Cut the ends of the 2x4's at 45° on opposite directions. Assemble as shown on illustration below.

1.2 Cut three 2x4's (B) to 2' 5 1/4" for the table top frame. Cut the ends of the 2x4's at 45° on opposite directions.

1.3 predrill holes and use 3" screws to assemble frame.

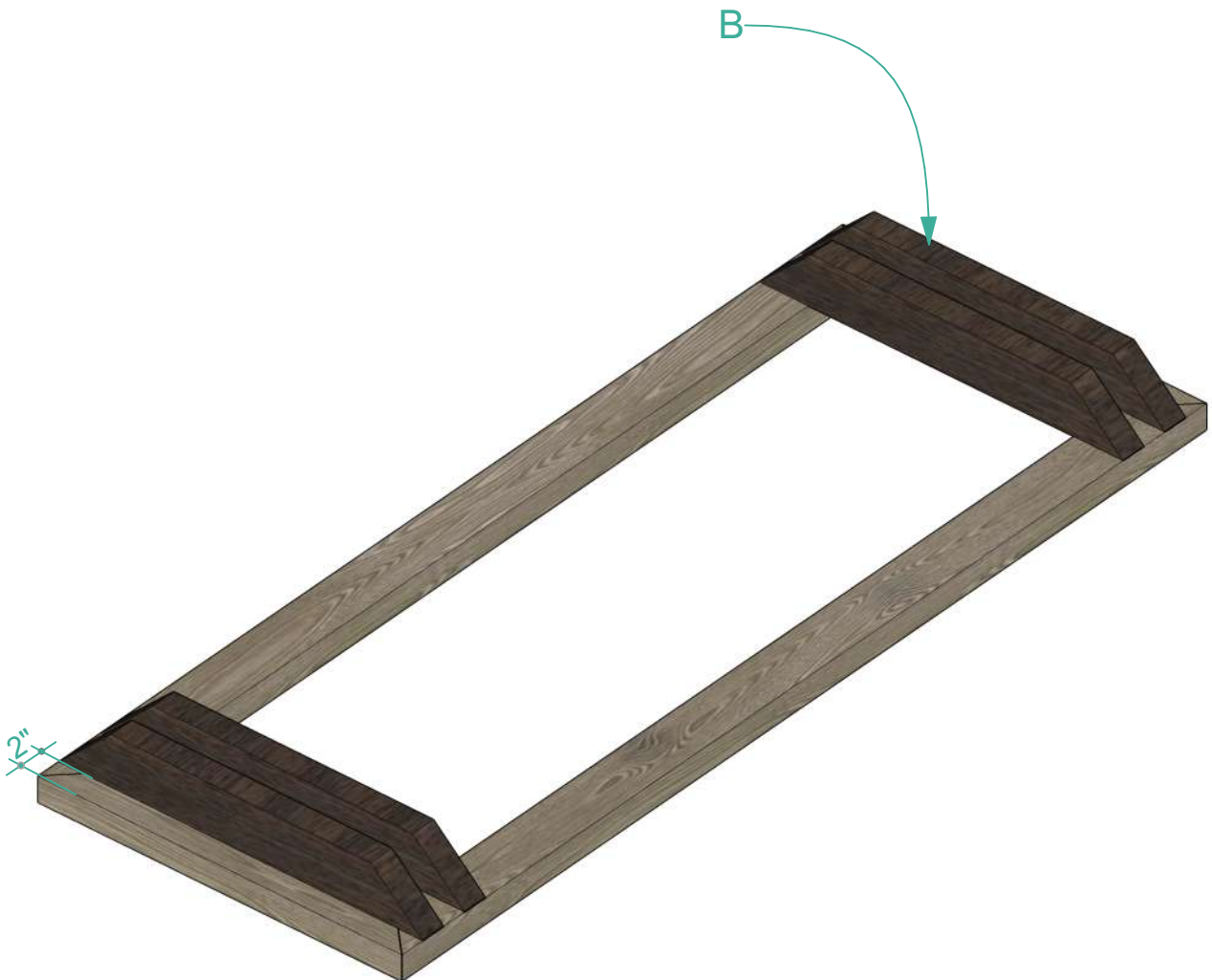


STEP 2

Build Table Top Battens

2.1 Cut four 2x4's (B) to 2' 5 1/4" for the top supports. Cut the ends of the 2x4's at 45° degree on opposite directions. Assemble as shown on illustration below.

2.2 Predrill holes and use 3" screws to assemble battens like illustration below.

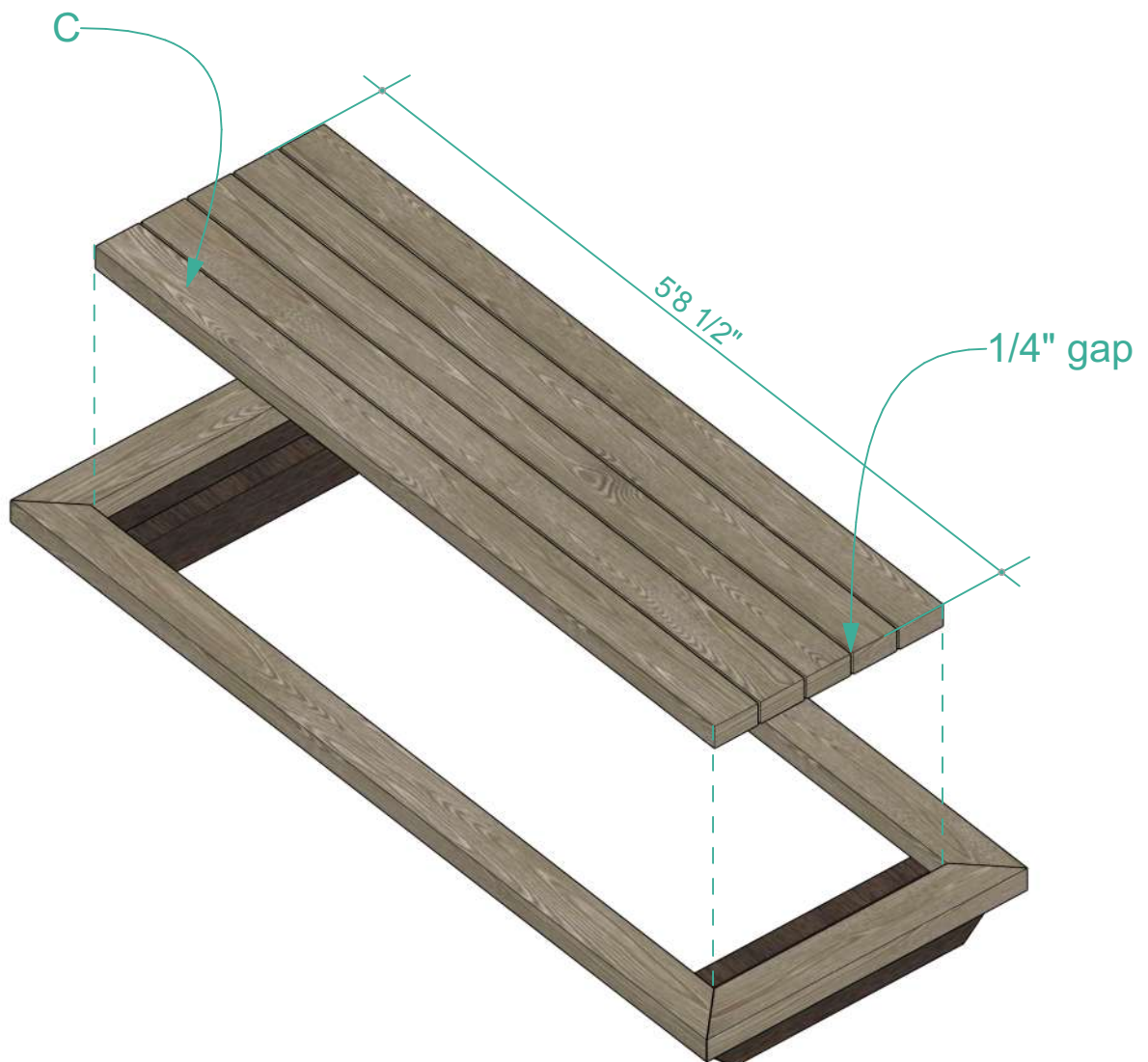


STEP 3

Assemble Remaining Table Top Boards

3.1 Cut five 2x4's (C) to 5' 8 1/2" for the table top.

3.2 Predrill holes and use 3" screws to assemble table top on top of the battens like illustration below.

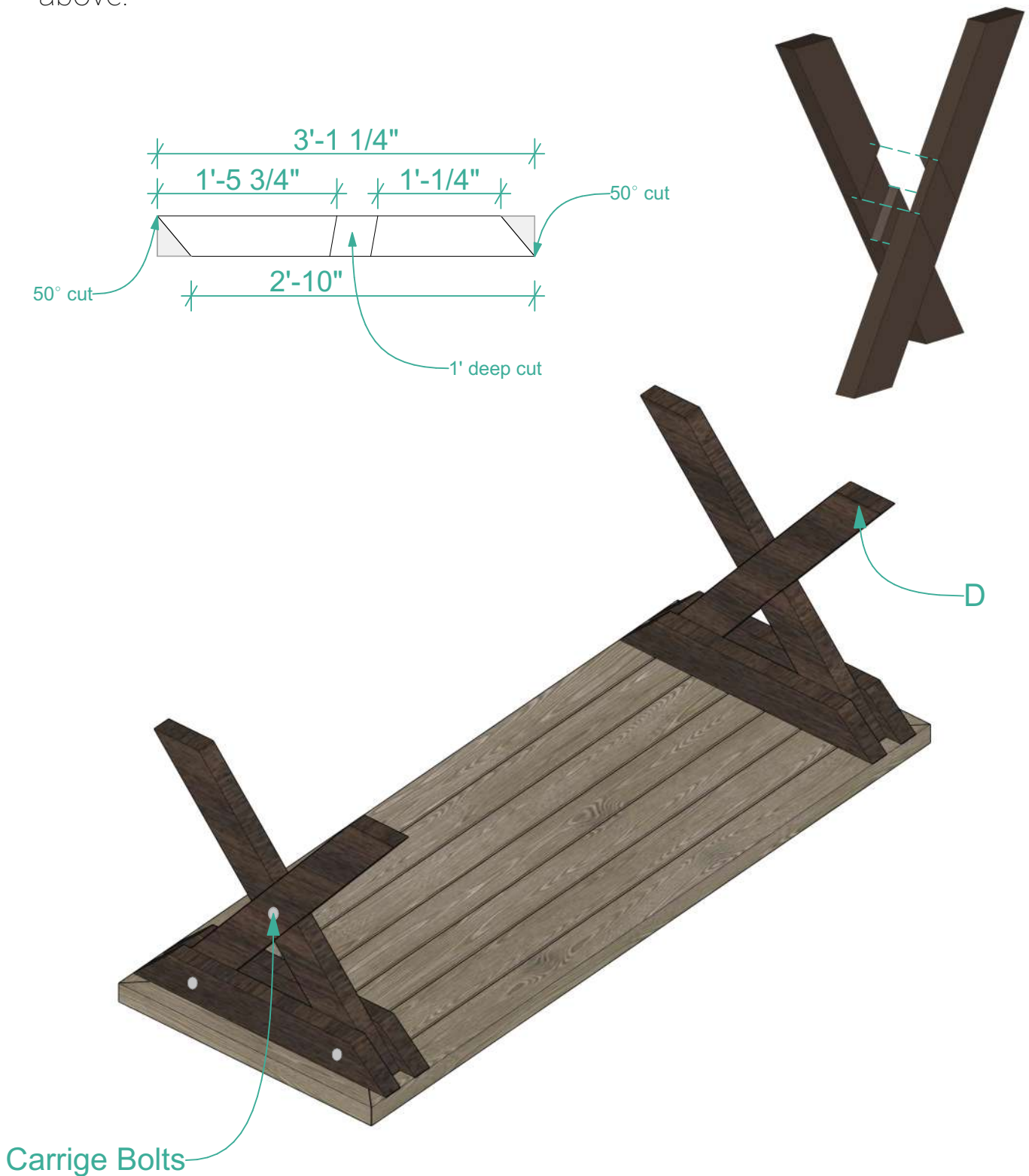


STEP 4

Build Table Legs

4.1 Cut four 2x4's (D) to 3' 1 1/4" for the legs. Cut the ends of the 2x4's at 50° degree on same directions.

4.2 Assemble the legs using 3" carriage bolts as shown on illustration above.

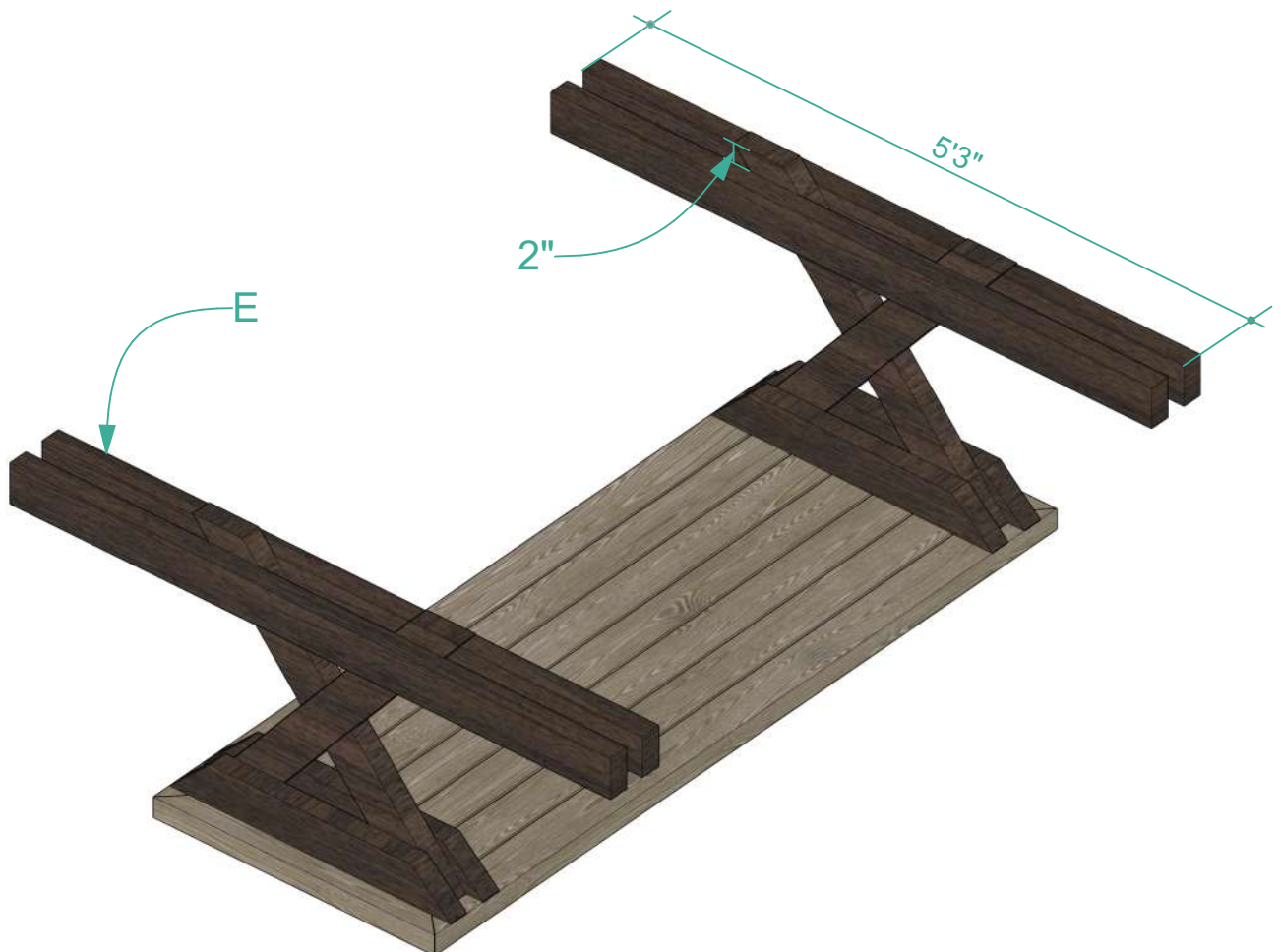


STEP 5

Build Seat Support

5.1 Cut four 2×4's (E) to 5' 3" for the Support.

5.2 Align support from 2" from the ground. Assemble the legs using 3" Screws as shown on illustration below.



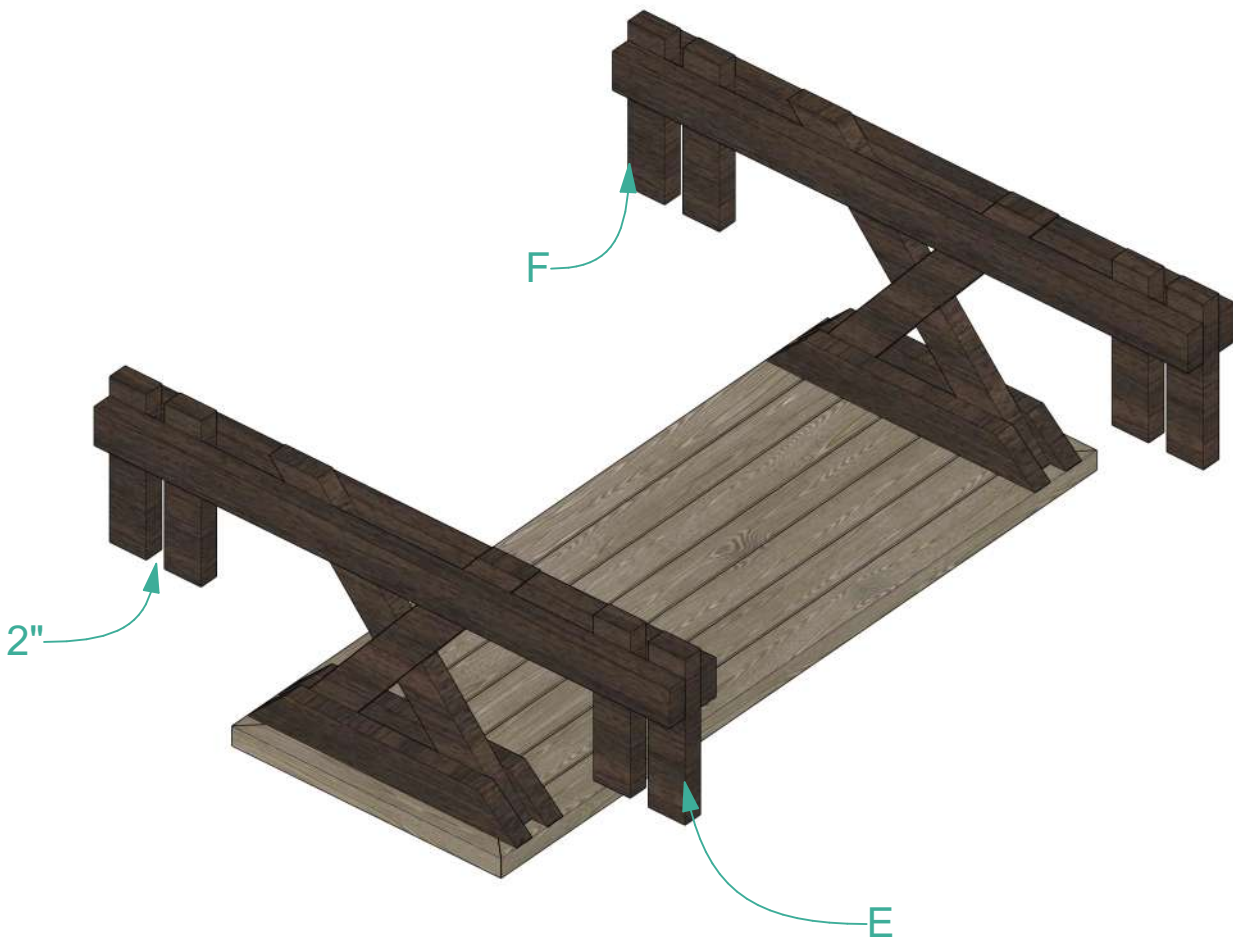
STEP 6

Build Seat Legs

6.1 Cut eight 2x4's (F) to 1' 5" for the legs.

6.2 Flush one leg to supports (E), and put second leg with 2" separation.

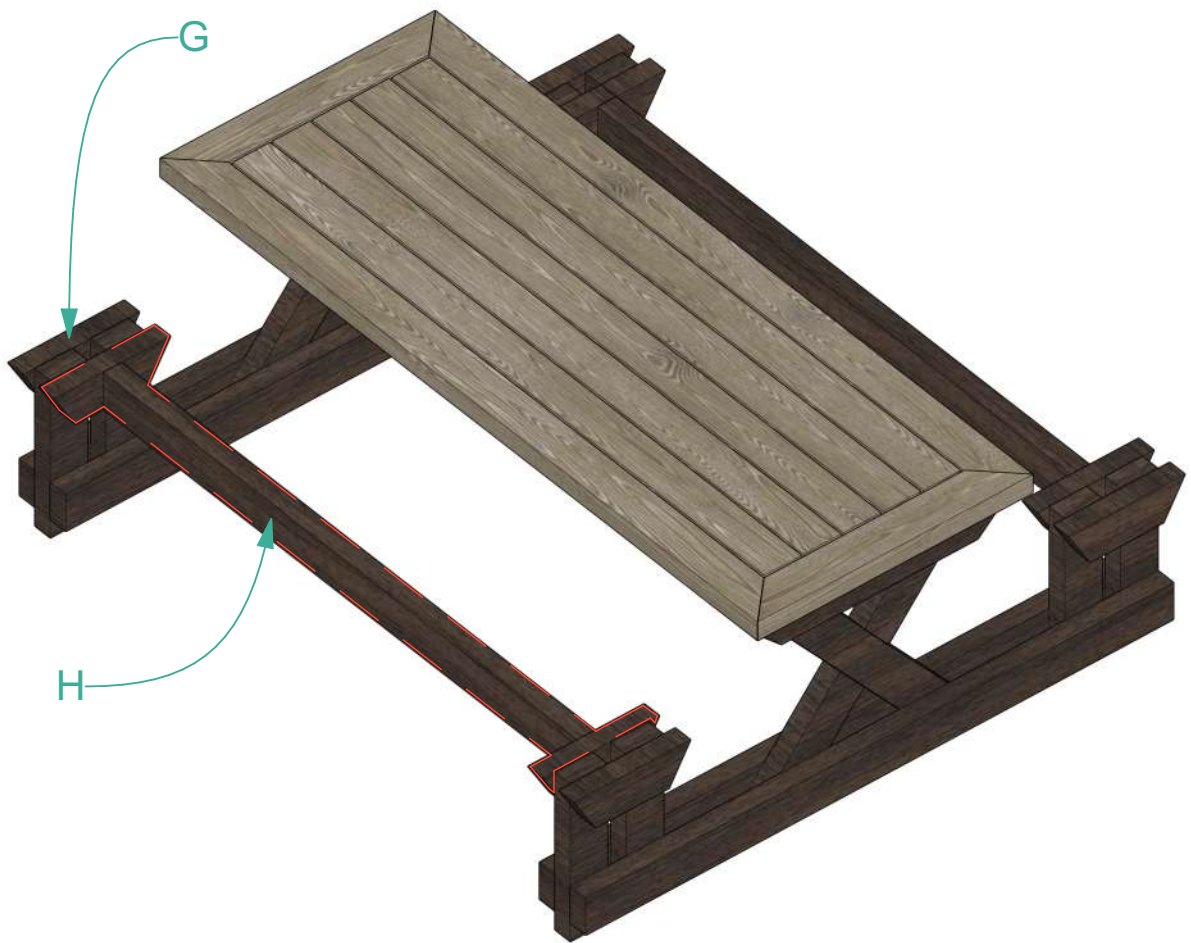
6.3 predrill holes and assemble legs using 3" screws shown illustration below.



STEP 7

Build Seat Battens

- 7.1 Cut eight 2x4's (G) to 1' 1/2" for the Seat Batten 1. Cut the ends of the 2x4's at 45° on opposite directions.
- 7.2 Cut two 2x4's (H) to 5'1" for the Seat Batten 2.
- 7.3 Assemble highlighted part first with 3" Screws as shown on illustration below.
- 7.4 add remaining battens use 3" screws to assemble.



STEP 8

Build Seat Frame

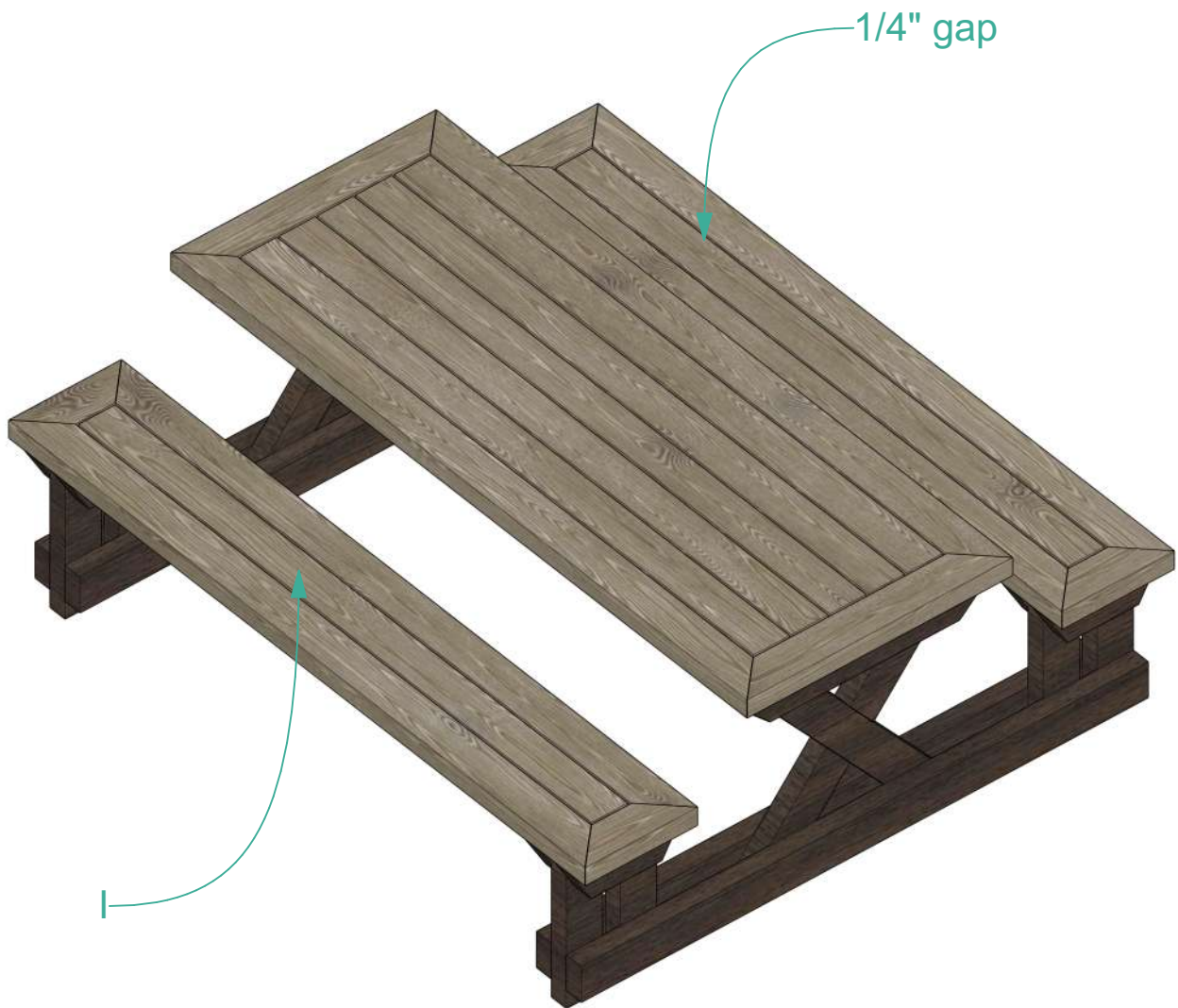
- 8.1 Cut Four 2x4's (A) to 6'5" length for the Seat Frame. Cut the ends of the 2x4's at 45° on opposite directions.
- 8.2. Cut eight 2x4's (G) to 1' 1/2" for the Seat Frame 1. Cut the ends of the 2x4's at 45° on opposite directions.
- 8.3. predrill holes and assemble legs using 3" screws shown illustration below



STEP 9

Build Seat

- 9.1 Cut two 2x4's (I) to 5' 8 1/2" for the seat.
- 9.2 Aline board so that there will be left 1/4" gap between the frame.
- 9.3 Predrill holes. Use 3" screws to connect Seat board (I) to batten 2 (H).



Step 10

Add finish

7.1 Use sandpaper to smooth out sharp edges. Stain or paint to protect wood.

