

5' Picnic Table and bench Plans



Shopping List

TABLE

4 – 2×4 – 8'

2 – 2×6 – 10'

1 – 2×6 – 8'

3" deck screws

10- 3" Carriage Bolts

BENCH

2 – 2×10 – 10'

3" deck screws

Cutting List

TABLE

(A) 4 - 2x4 - 3' 1/8"

(B) 3 - 2x4 - 2' 4 1/2"

(C) 2 - 2x4 - 2'

(D) 5 - 2x6 - 5'

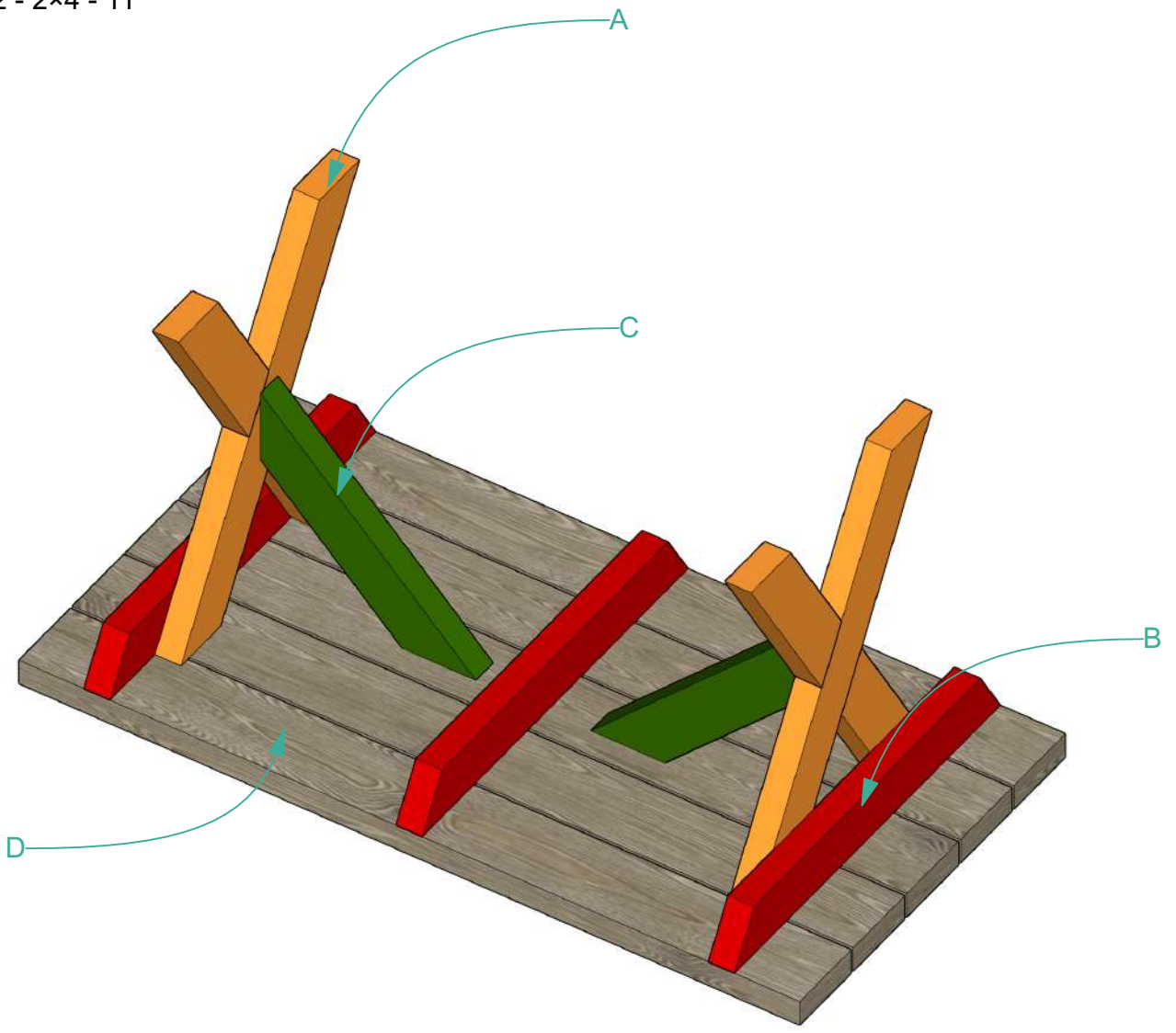
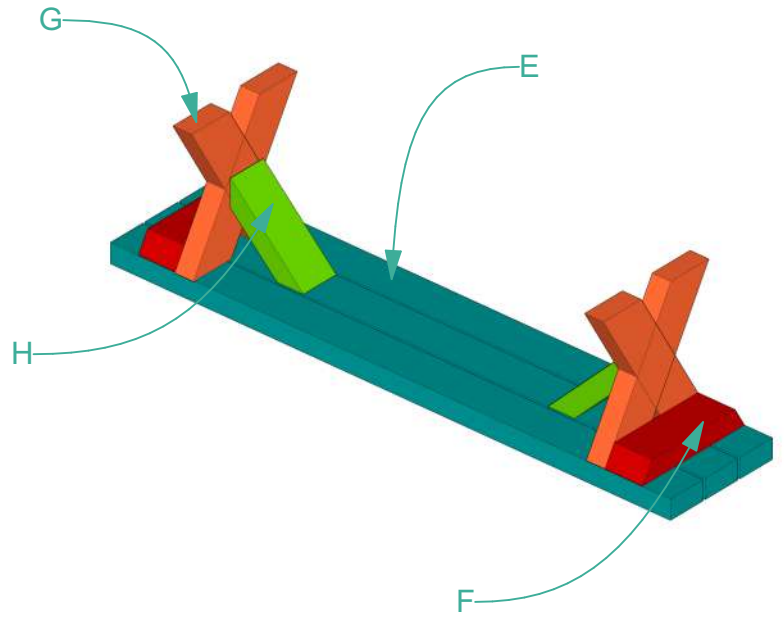
BENCH

(E) 3 - 2x6 - 5'

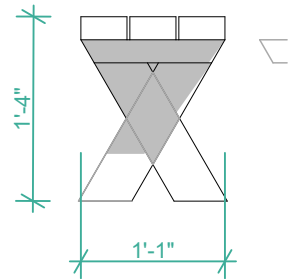
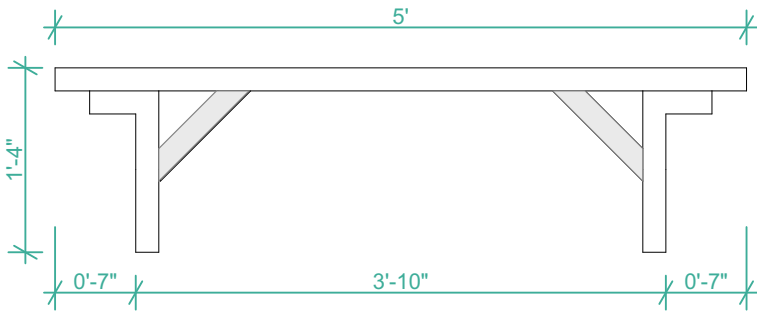
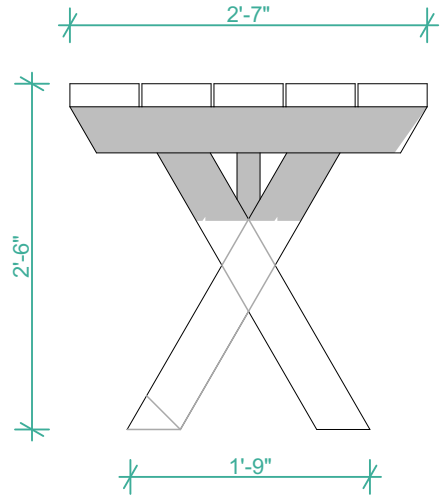
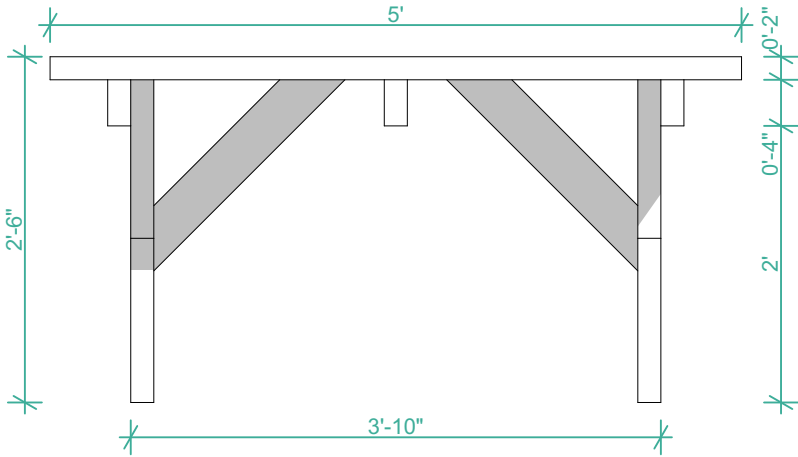
(G) 4 - 2x10 - 1' 6"

(F) 2 - 2x4 - 1'1"

(H) 2 - 2x4 - 11"



Overview



STEP 1

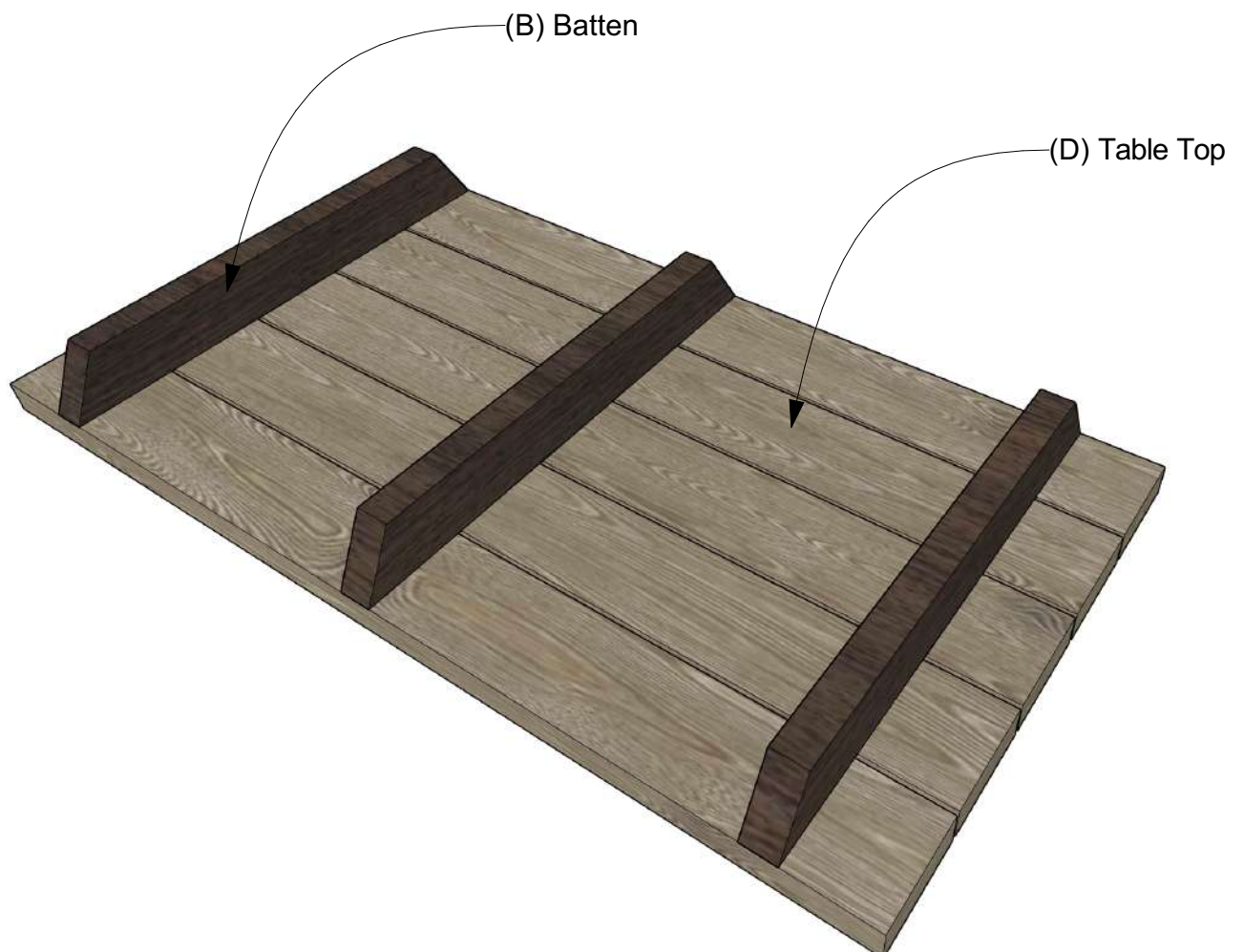
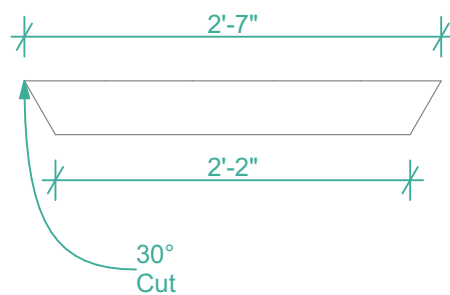
Build Table Top

1.1 Cut five 2x6's (D) to 5' for the table top. Assemble as shown on illustration below.

1.2 Cut three 2x4's (B) to 2' 4 1/2" for the top supports. Cut the ends of the 2x4's at 30° degree on opposite directions.

1.3. D (table top boards) – 5 – 2x6 – 60"

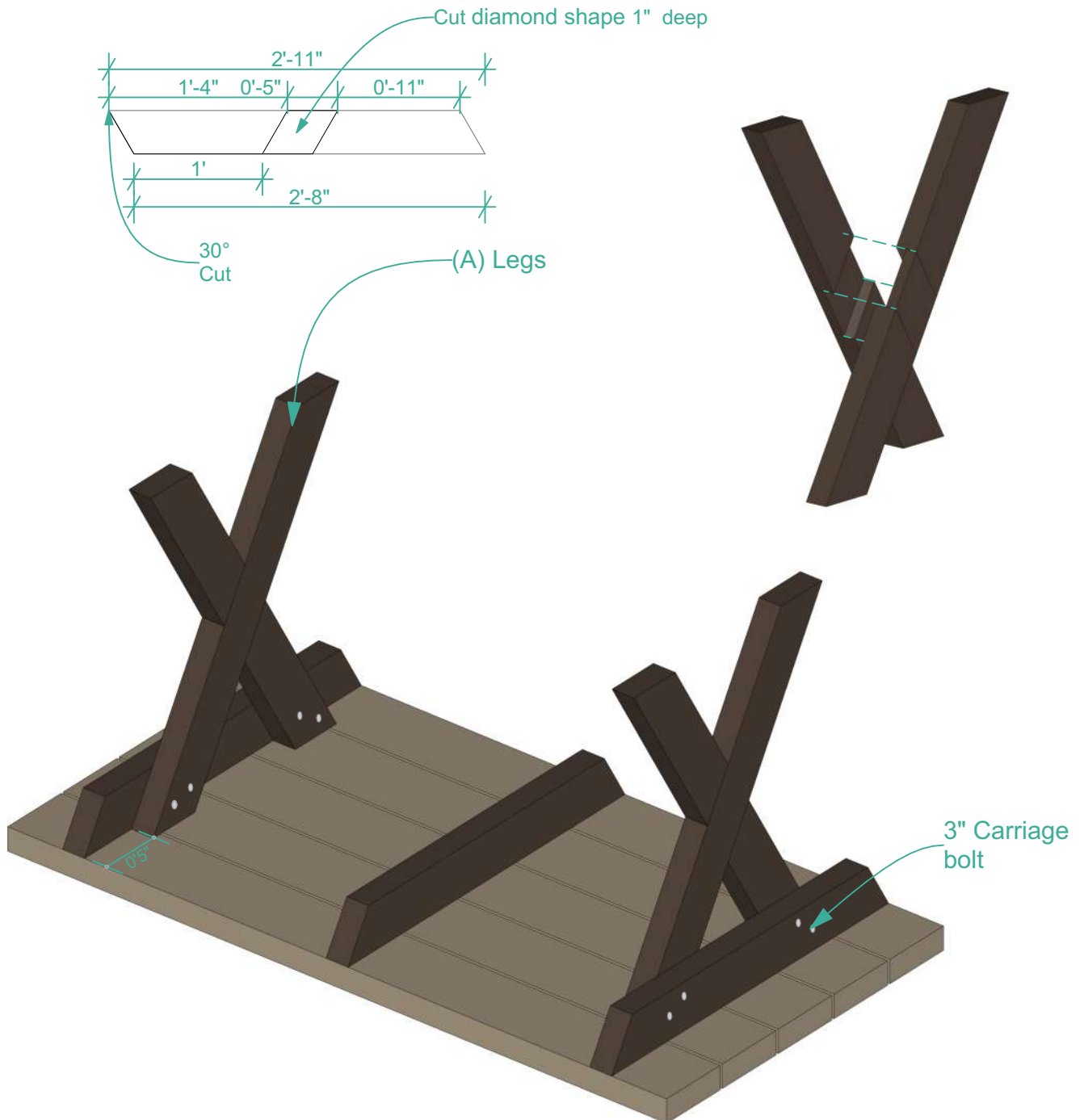
The table top boards are spaced out 1/4" , secure the battens (B) to the table top boards (D) using exterior wood glue and pocket hole screws.



STEP 2

Build Table Legs

- 2.1 Cut four 2x4's (A) to 2' 11" for the legs. Cut the ends of the 2x4's at 30° degree on same directions.
- 2.2 Turn table upside down and assemble the legs using 3" carriage bolts as shown on illustration above.

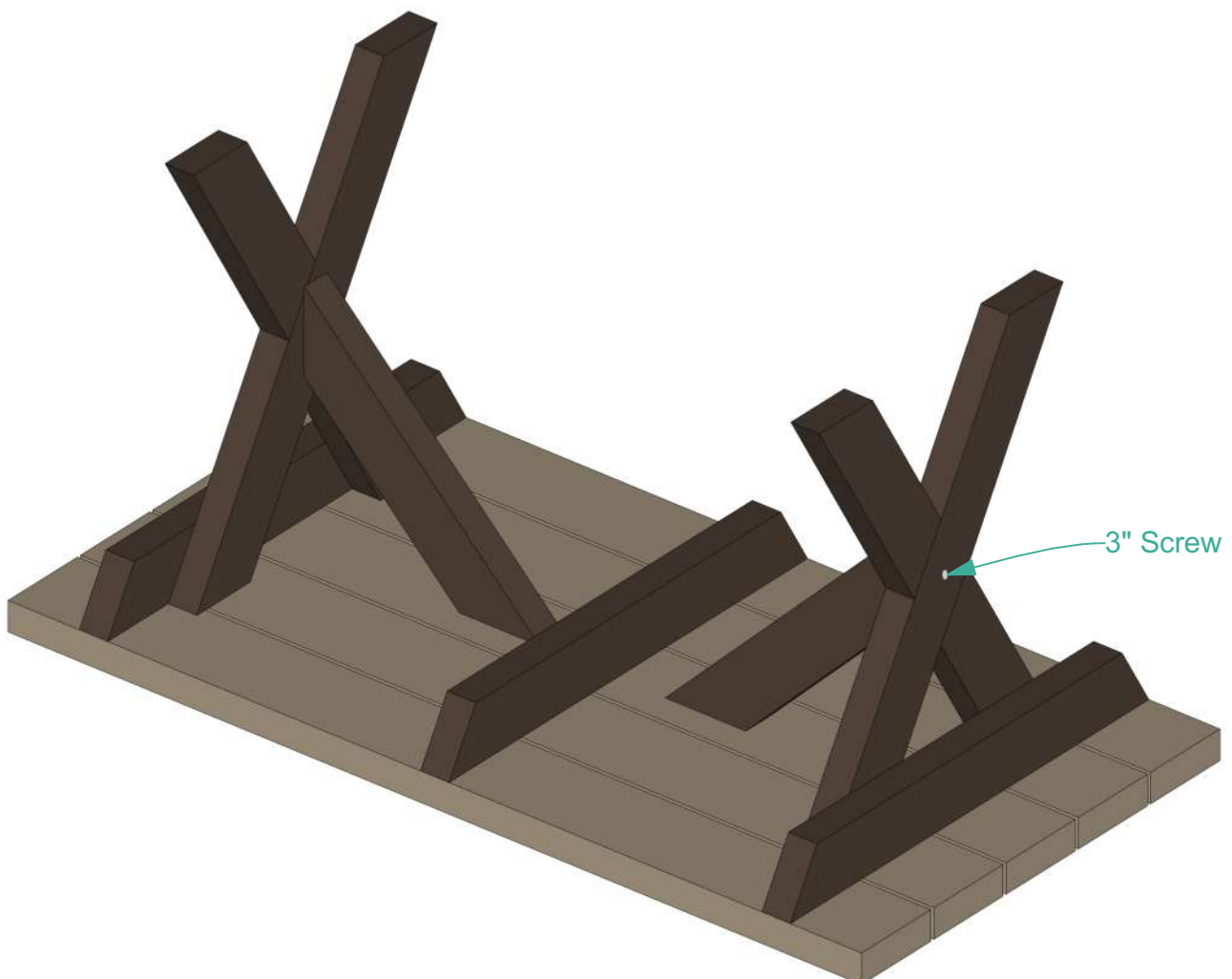
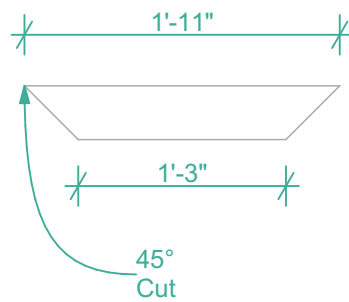


STEP 3

Build Table Brace

3.1 Cut two 2x4's (C) to 1'11" for the brace. Cut the ends of the 2x4's as shown on illustration Below.

3.2. Install the brace (C) as shown in illustration below. Screw 3" deck at an angle through the brace and into the table top and legs.

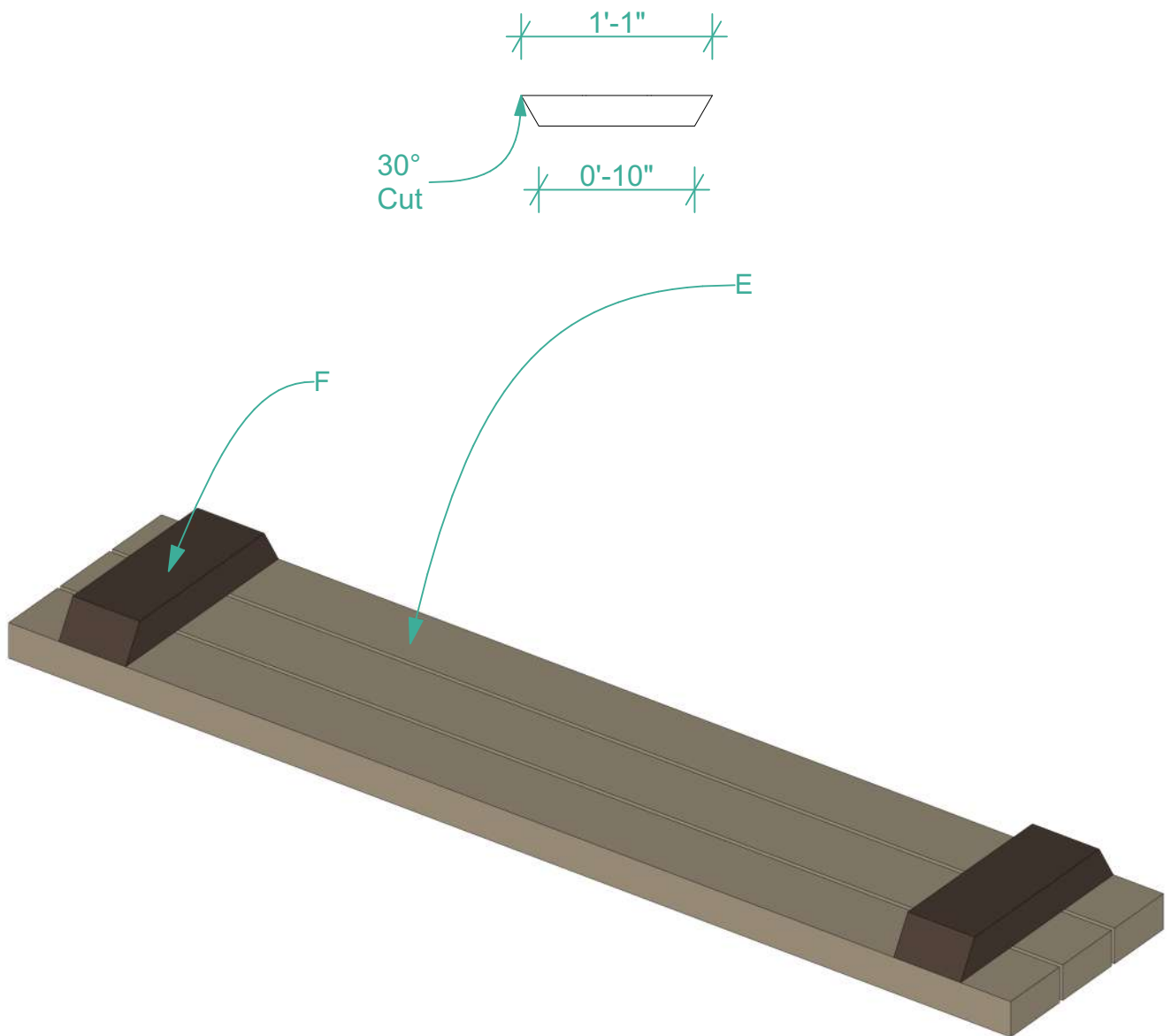


STEP 4

Build Bench Board

4.1 Cut three 2x6's (E) to 5' for the Seat top. Assemble as shown on illustration below.

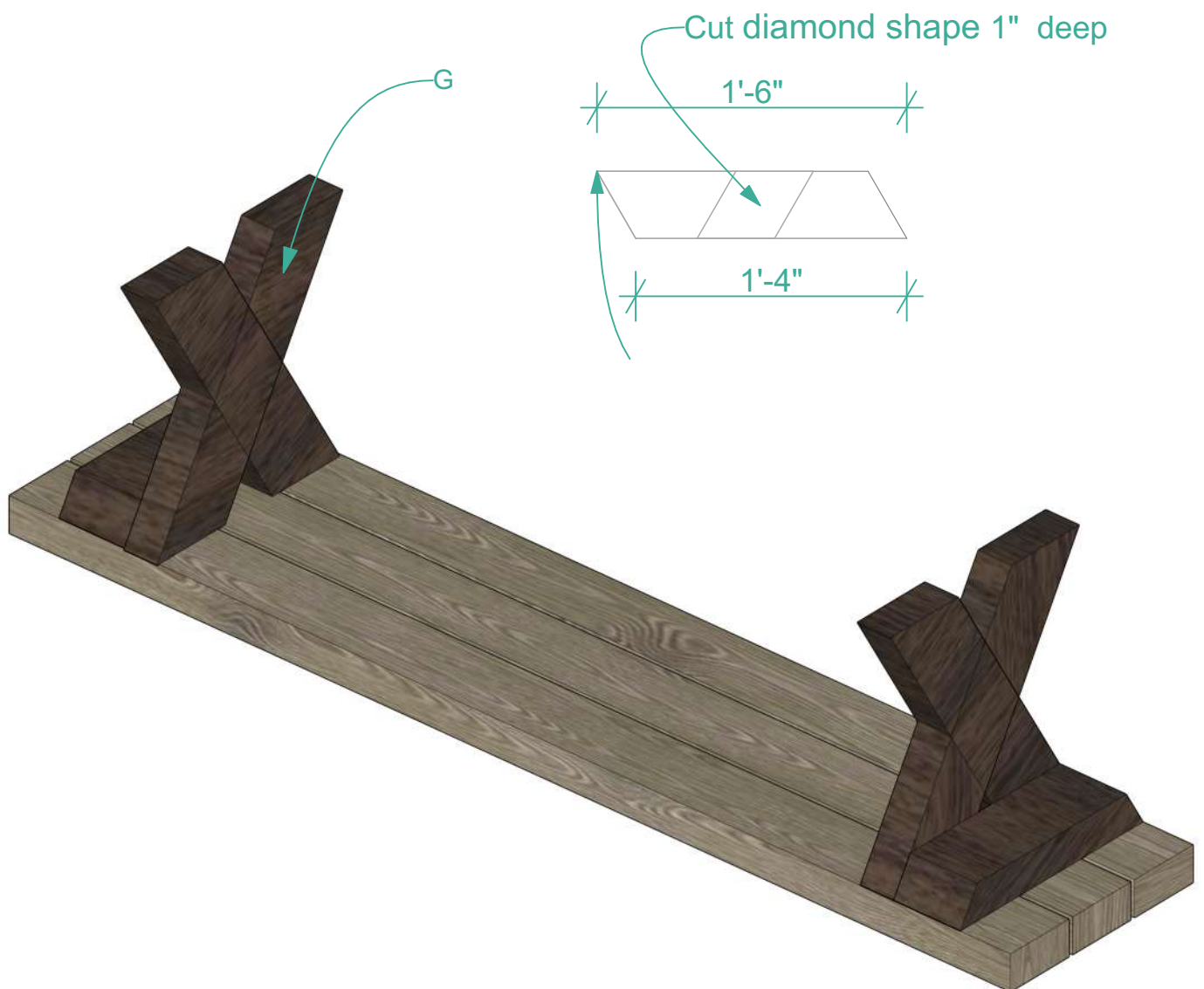
4.2. Install the brace (F) as shown in illustration below. Screw 3" deck at an angle through the brace and into the table top and legs.



STEP 5

Build Bench Legs

- 5.1 Cut four 2x4's (G) to 1' 6" for the legs. Cut the ends of the 2x4's at 30° degree on same directions.
- 5.2. Turn Bench upside down and assemble the legs using 3" carriage bolts as shown on illustration above.

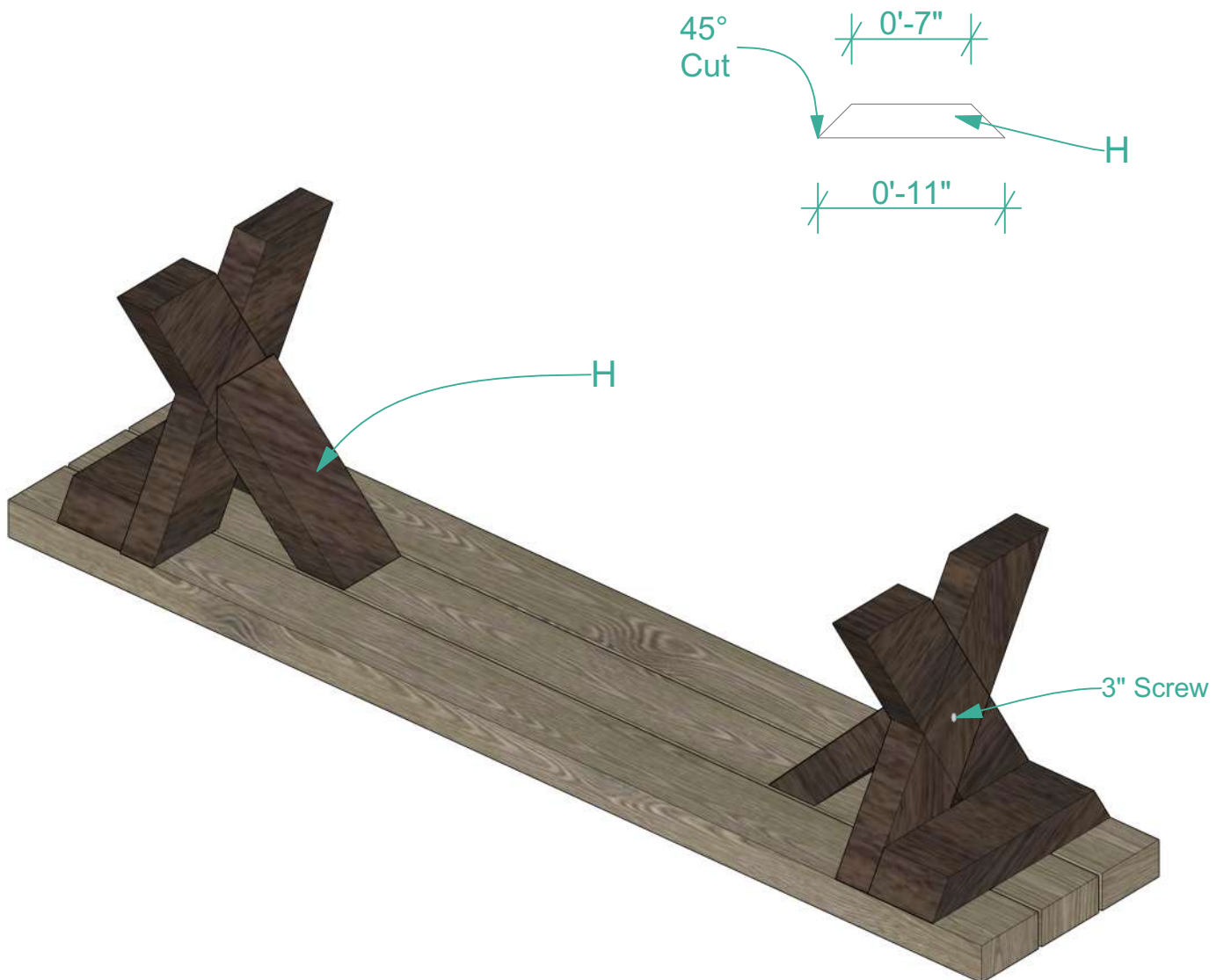


STEP 6

Build Bench Brace

6.1 Cut two 2x4's (H) to 1'11" for the brace. Cut the ends of the 2x4's at 45 degree, as shown on illustration Below.

6.2 Install the brace (H) as shown in illustration below. Screw 3" deck at an angle through the brace and into the bench top and legs.



Step 7

Add finish

7.1 Use sandpaper to smooth out sharp edges. Stain or paint to protect wood.

